

Trinity Glass International

OPAQUE FIBERGLASS DOOR

IMPACT OUTSWING

INSTALLATION NOTES:

- ONE (1) INSTALLATION ANCHOR IS REQUIRED AT EACH ANCHOR LOCATION SHOWN.
- THE NUMBER OF INSTALLATION ANCHORS DEPICTED IS THE MINIMUM NUMBER OF ANCHORS TO BE USED FOR PRODUCT INSTALLATION OF THE MAXIMUM SIZE LISTED.
- INSTALL INDIVIDUAL INSTALLATION ANCHORS WITHIN A TOLERANCE OF ±1/2 INCH (I.E., WITHOUT CONSIDERATION OF TOLERANCES), TOLERANCES ARE NOT CUMULATIVE FROM ONE INSTALLATION ANCHOR TO THE NEXT.
- SHIM AS REQUIRED AT EACH INSTALLATION ANCHOR WITH LOAD BEARING SHIM(S). MAXIMUM ALLOWABLE SHIM STACK TO BE 1/4 INCH. SHIM WHERE SPACE OF 1/16 INCH OR GREATER OCCURS. SHIM(S) SHALL BE CONSTRUCTED OF HIGH DENSITY PLASTIC OR BETTER.
- THROUGH FRAME:** FOR INSTALLATION INTO 2X WOOD FRAMING USE MINIMUM #10 WOOD SCREWS OF SUFFICIENT LENGTH TO ACHIEVE 1 1/2" MINIMUM EMBEDMENT INTO WOOD SUBSTRATE. MINIMUM EDGE DISTANCE OF 3/4" SHALL BE MAINTAINED.
- THROUGH FRAME:** FOR INSTALLATION INTO CONCRETE/MASONRY, USE 1/4" ITW TAPCONS OR 1/4" ELCO ULTRACONS OR 3/16" ITW TAPCONS OF SUFFICIENT LENGTH TO ACHIEVE 1 1/4" MINIMUM EMBEDMENT INTO CONCRETE/MASONRY.
- MINIMUM EMBEDMENT AND EDGE DISTANCE EXCLUDE WALL FINISHES, INCLUDING BUT NOT LIMITED TO STUCCO, FOAM, BRICK VENEER, AND SIDING.
- INSTALLATION ANCHORS AND ASSOCIATED HARDWARE MUST BE MADE OF CORROSION RESISTANT MATERIAL OR HAVE A CORROSION RESISTANT COATING.
- FOR HOLLOW BLOCK AND GROUT FILLED BLOCK, DO NOT INSTALL INSTALLATION ANCHORS INTO MORTAR JOINTS. EDGE DISTANCE IS MEASURED FROM FREE EDGE OF BLOCK OR EDGE OF MORTAR JOINT INTO FACE SHELL OF BLOCK.
- INSTALLATION ANCHORS SHALL BE INSTALLED IN ACCORDANCE WITH ANCHOR MANUFACTURER'S INSTALLATION INSTRUCTIONS, AND ANCHORS SHALL NOT BE USED IN SUBSTRATES WITH STRENGTHS LESS THAN THE MINIMUM STRENGTH SPECIFIED BY THE ANCHOR MANUFACTURER.
- INSTALLATION ANCHOR CAPACITIES FOR PRODUCTS HEREIN ARE BASED ON SUBSTRATE MATERIALS WITH THE FOLLOWING PROPERTIES:
 - WOOD - MINIMUM SPECIFIC GRAVITY OF 0.42.
 - CONCRETE - MINIMUM 3000 PSI COMPRESSIVE STRENGTH
 - HOLLOW/GROUT FILLED CMU - STRENGTH CONFORMANCE TO ASTM C90, MIN. F'm = 2000 PSI.


GENERAL NOTES:

- THE PRODUCT SHOWN HEREIN IS DESIGNED AND MANUFACTURED TO COMPLY WITH THE 2006 INTERNATIONAL BUILDING CODE (IBC) AND INTERNATIONAL RESIDENTIAL CODE (IRC) WITH 2006 TEXAS REVISIONS, EFFECTIVE JANUARY 1, 2008 AND HAS BEEN EVALUATED ACCORDING TO THE FOLLOWING:
 - TAS 201-94
 - TAS 202-94
 - TAS 203-94
 - ASTM E283-04
 - ASTM E330-02
 - ASTM E331-00
 - AAMA 1304-02
- ADEQUACY OF THE EXISTING STRUCTURAL CONCRETE/MASONRY AND 2X FRAMING AS A MAIN WIND FORCE RESISTING SYSTEM CAPABLE OF WITHSTANDING AND TRANSFERRING APPLIED PRODUCT LOADS TO THE FOUNDATION IS THE RESPONSIBILITY OF THE ENGINEER OR ARCHITECT OF RECORD FOR THE PROJECT OF INSTALLATION.
- 1X AND 2X BUCKS (WHEN USED) SHALL BE DESIGNED AND ANCHORED TO PROPERLY TRANSFER ALL LOADS TO THE STRUCTURE. BUCK DESIGN AND INSTALLATION IS THE RESPONSIBILITY OF THE ENGINEER OR ARCHITECT OF RECORD FOR THE PROJECT OF INSTALLATION.
- THE INSTALLATION DETAILS DESCRIBED HEREIN ARE GENERIC AND MAY NOT REFLECT ACTUAL CONDITIONS FOR A SPECIFIC SITE. IF SITE CONDITIONS CAUSE INSTALLATION TO DEVIATE FROM THE REQUIREMENTS DETAILED HEREIN, A LICENSED ENGINEER OR ARCHITECT SHALL PREPARE SITE SPECIFIC DOCUMENTS FOR USE WITH THIS DOCUMENT.
- APPROVED IMPACT PROTECTIVE SYSTEM **IS NOT REQUIRED** FOR THIS PRODUCT.
- FRAME & MULLION MATERIAL: PVC OR WOOD
- CLADDING MATERIAL: FIBERGLASS

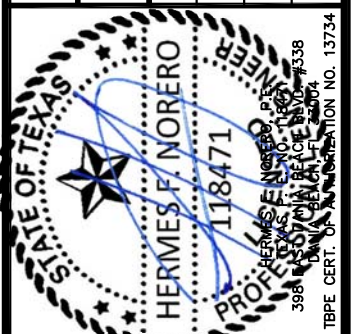
TABLE OF CONTENTS	
SHEET #	DESCRIPTION
1	General notes
2	Typical elevations, design pressures
3	Typical elevations, design pressures
4	Typical elevations, design pressures
5	Typical elevations, design pressures
6	Door panel construction details
7	Sidelite panel construction details
8	Glazing details
9	Vertical cross sections
10	Vertical cross sections
11	Horizontal cross sections
12	Horizontal cross sections
13	Horizontal cross sections
14	Vertical & Horizontal cross sections
15	Horizontal cross sections
16	Buck & Frame anchoring
17	Buck anchoring
18	Frame anchoring
19	Frame anchoring
20	Frame anchoring
21	Buck anchoring
22	Frame anchoring
23	Frame anchoring
24	Buck anchoring
25	Frame anchoring
26	Components
27	Components
28	Components
29	Bill of materials

TITLE: OPAQUE FIBERGLASS DOOR
IMPACT OUTSWING

GENERAL NOTES

PREPARED BY:
 BUILDING DROPS, INC.
 398 E. DANIA BEACH BLVD. #338
 DANIA BEACH, FL 33004
 PH: (954) 399-8478 FX: (954) 744-4738

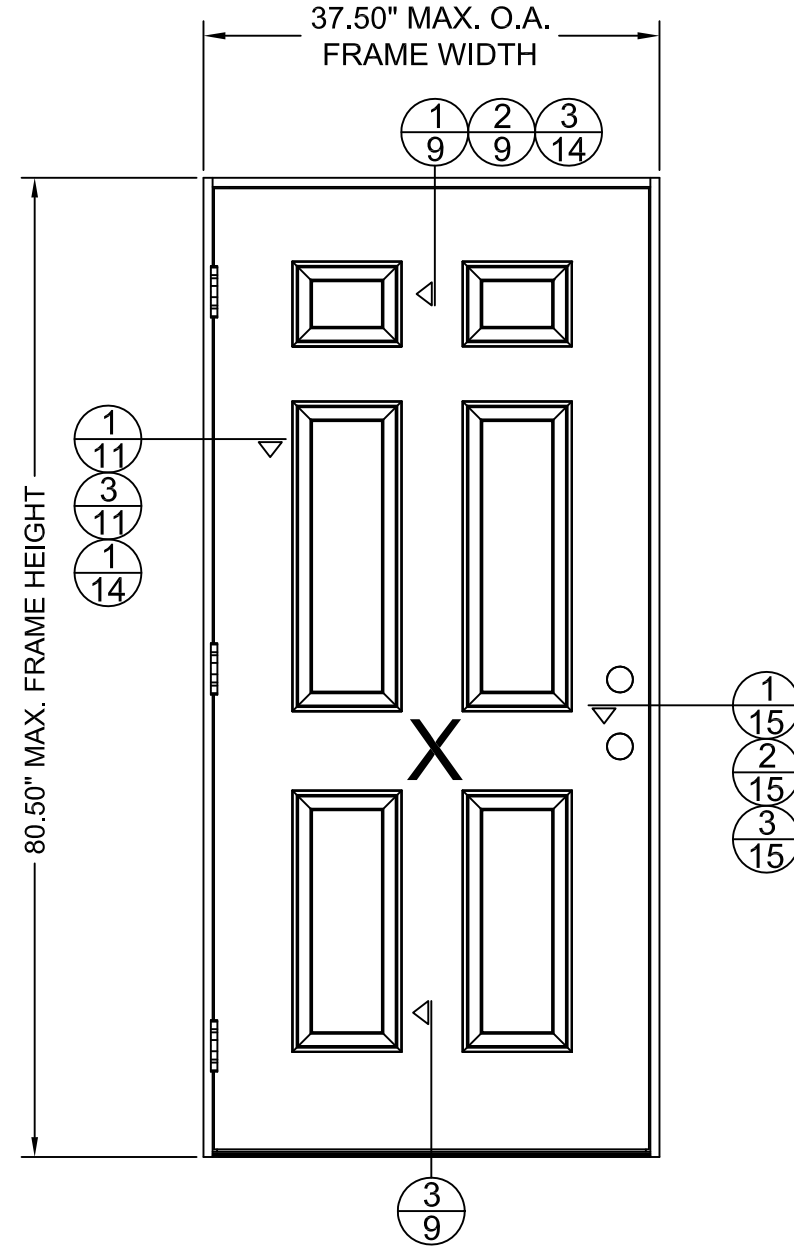
REVISIONS	DESCRIPTION	BY	DATE
		NO.	DP TABLE UPDATE PER TDI COMMENTS
		SM	01.29.17
		A	



DATE: 10.24.16
 DWN BY: LS
 CHK BY: HFN
 SCALE: NTS

DWG #: **TGI004**

SHEET: **1 OF 29**



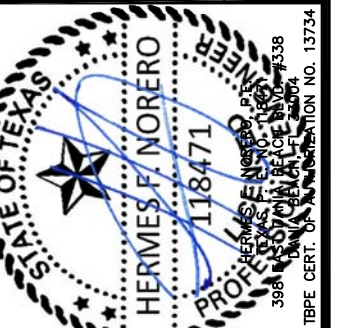
MAX. FRAME DIMENSION	JAMB TYPE	DESIGN PRESSURE (PSF)	
		POSITIVE	NEGATIVE
37.50" X 80.50"	WOOD	+65.0	-65.0
	PVC	+60.0	-60.0

TITLE: OPAQUE FIBERGLASS DOOR
IMPACT OUTSWING

TYPICAL ELEVATION AND
DESIGN PRESSURE

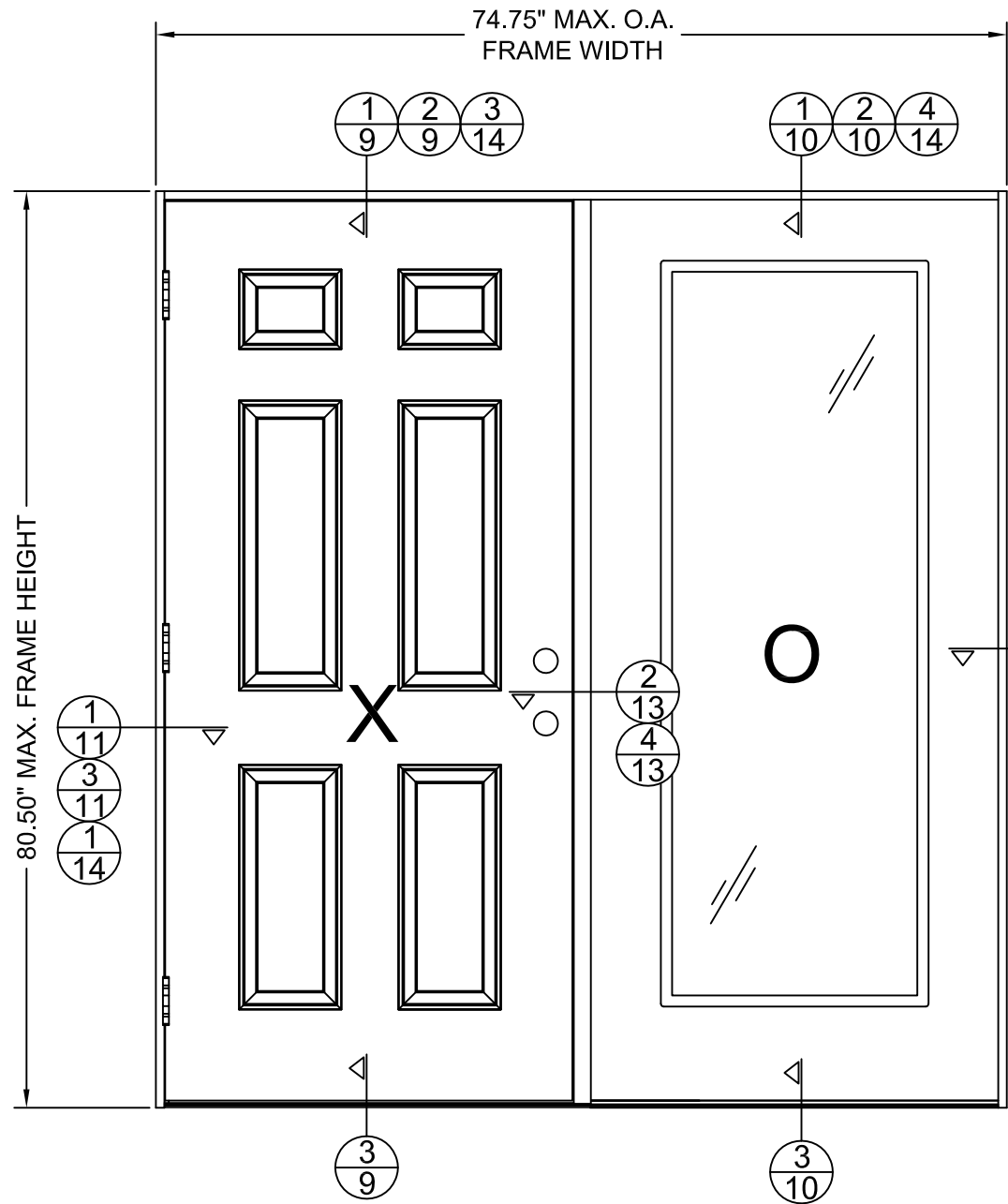
PREPARED BY:
BUILDING DROPS, INC.
398 E. DANIA BEACH BLVD. #338
DANIA BEACH, FL 33004
PH: (954) 399-8478 FX: (954) 744-4738

REVISIONS		
NO.	DESCRIPTION	BY DATE
A	DP TABLE UPDATE PER TDI COMMENTS	SM 01.29.17

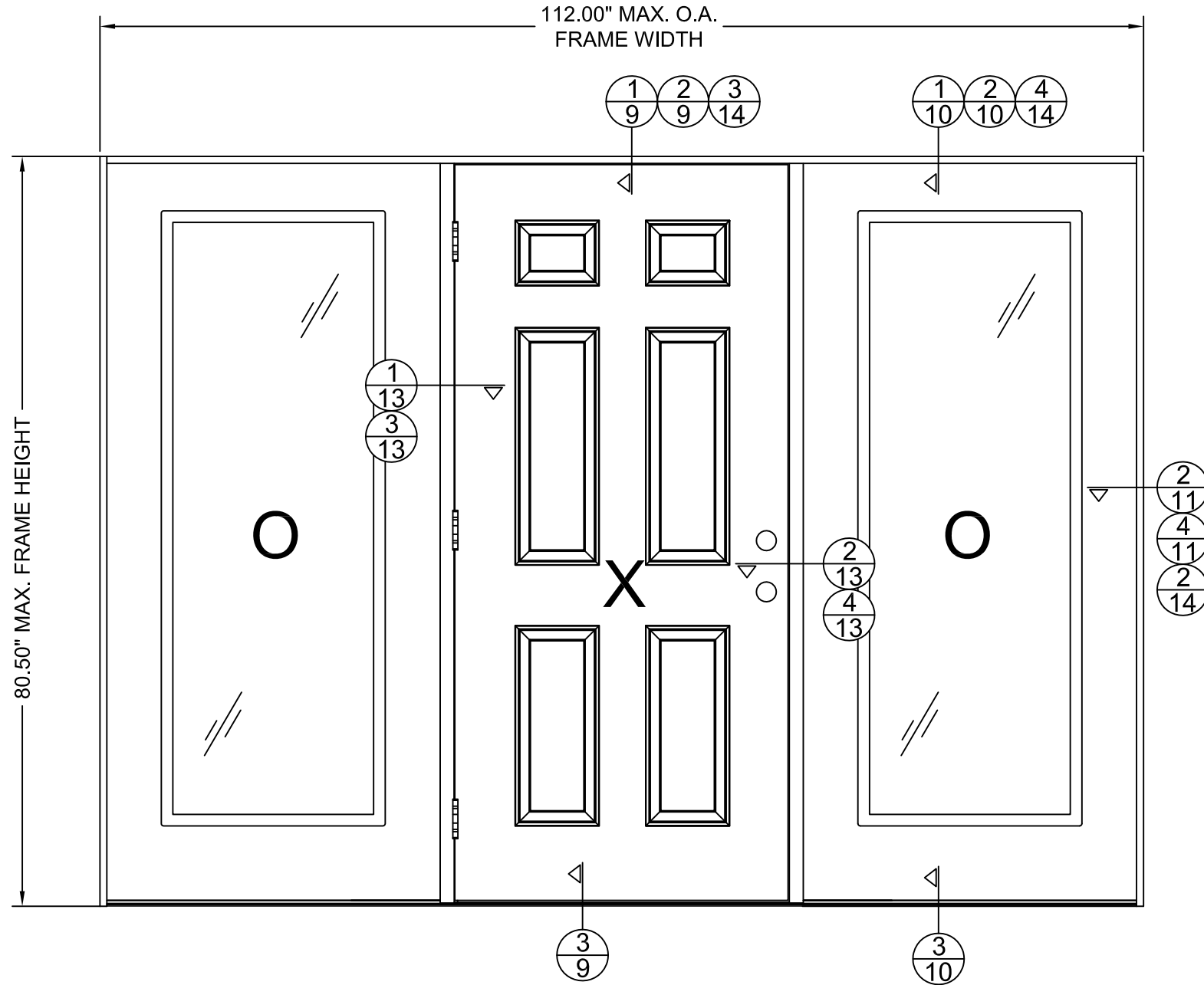


DATE: 10.24.16
DWN BY: LS
CHK BY: HFN
SCALE: NTS

DWG #: **TGI004**
SHEET: **2 OF 29**



CONTINUOUS HEADER AND SILL



CONTINUOUS HEADER AND SILL

CONFIGURATION	MAX. FRAME DIMENSION	JAMB & MULLION TYPE	DESIGN PRESSURE (PSF)	
			POSITIVE	NEGATIVE
OX/XO	74.75" X 80.50"	WOOD	+60.0	-70.0
		PVC	+55.0	-55.0
OXO	112.00" X 80.50"	WOOD	+55.0	-55.0
		PVC	+55.0	-55.0

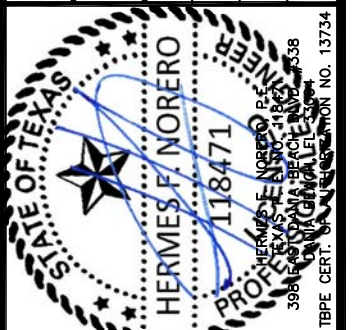
TITLE: OPAQUE FIBERGLASS DOOR
IMPACT OUTSWING

TYPICAL ELEVATION AND
DESIGN PRESSURE

PREPARED BY:
BUILDING DROPS, INC.
398 E. DANIA BEACH BLVD. #338
DANIA BEACH, FL 33004
PH: (954) 399-8478 FX: (954) 744-4738

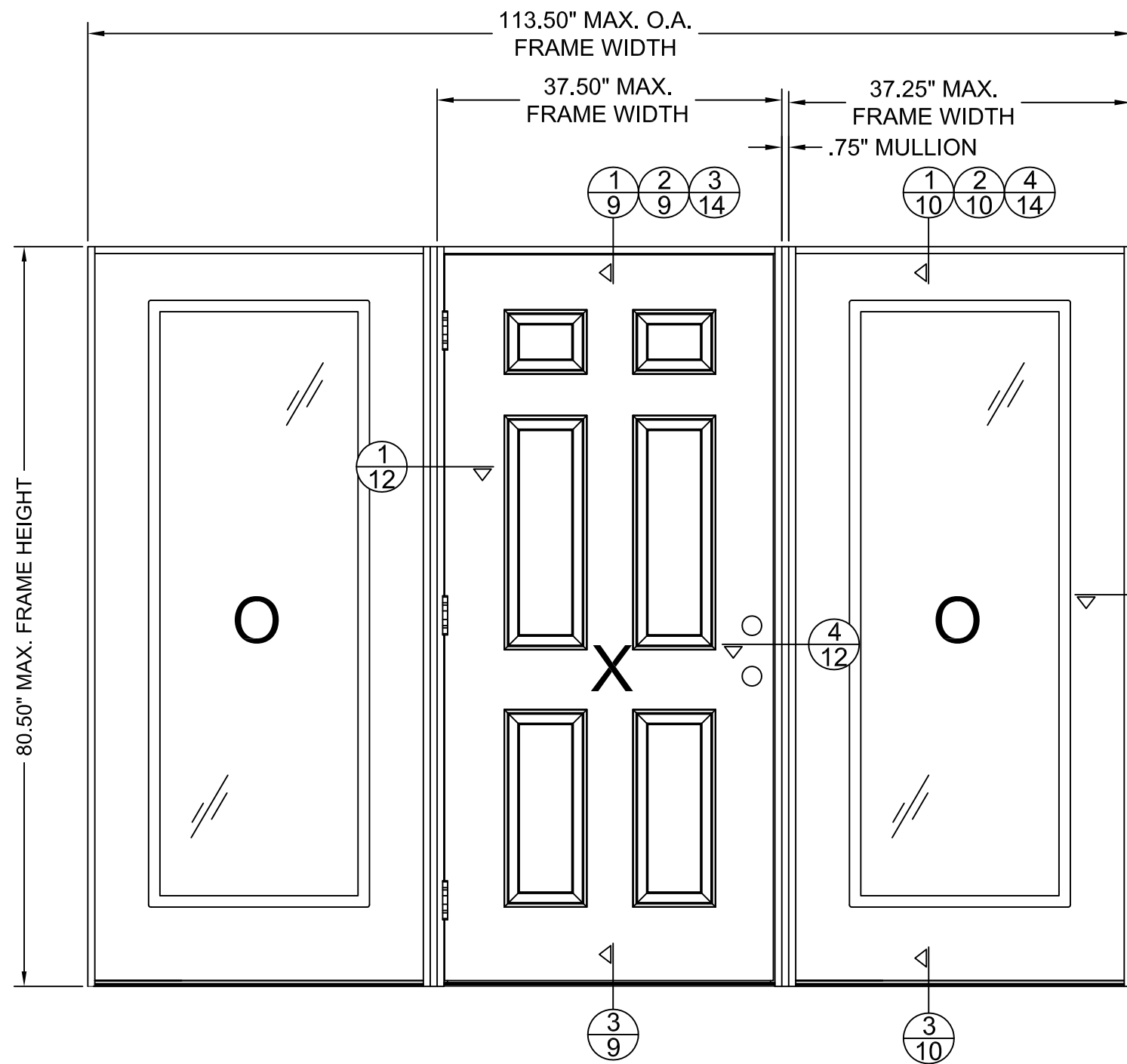
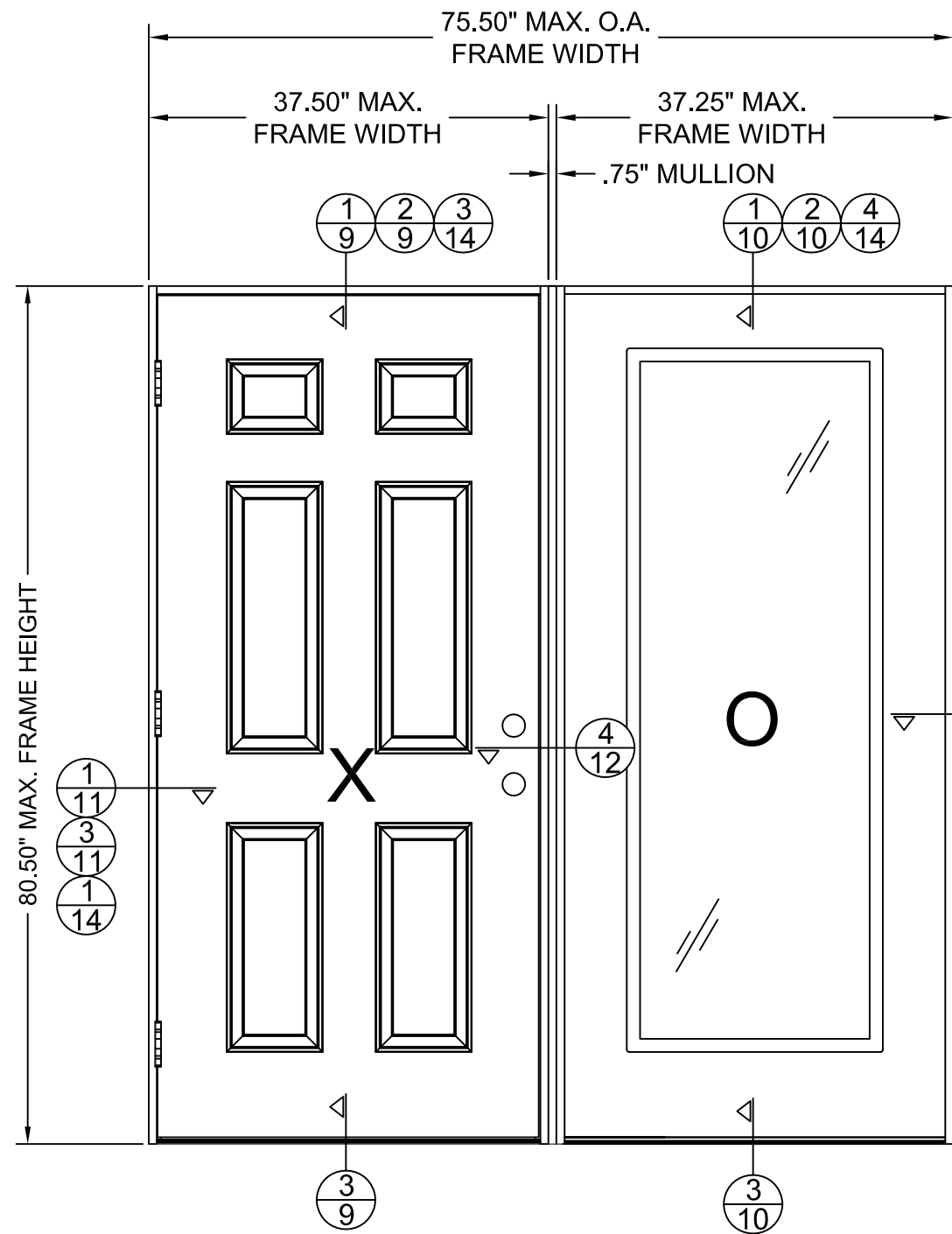
REVISIONS

NO.	DESCRIPTION	BY	DATE
A	DP TABLE UPDATE PER TDI COMMENTS	SM	01.29.17



DATE: 10.24.16
DWN BY: LS
CHK BY: HFN
SCALE: NTS

DWG #: **TGI004**
SHEET: **3 OF 29**



CONFIGURATION	MAX. FRAME DIMENSION	JAMB & MULLION TYPE	DESIGN PRESSURE (PSF)	
			POSITIVE	NEGATIVE
OX/XO	75.50" X 80.50"	WOOD	+60.0	-70.0
		PVC	+55.0	-55.0
OXO	113.50" X 80.50"	WOOD	+55.0	-55.0
		PVC	+55.0	-55.0

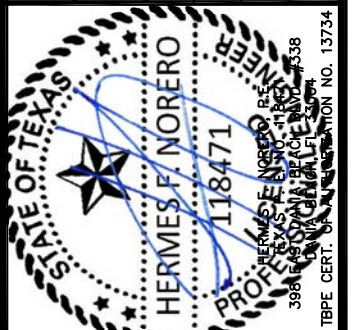
TITLE: OPAQUE FIBERGLASS DOOR
IMPACT OUTSWING

TYPICAL ELEVATION AND
DESIGN PRESSURE

PREPARED BY:
BUILDING DROPS, INC.
398 E. DANIA BEACH BLVD. #338
DANIA BEACH, FL 33004
PH: (954) 399-8478 FX: (954) 744-4738

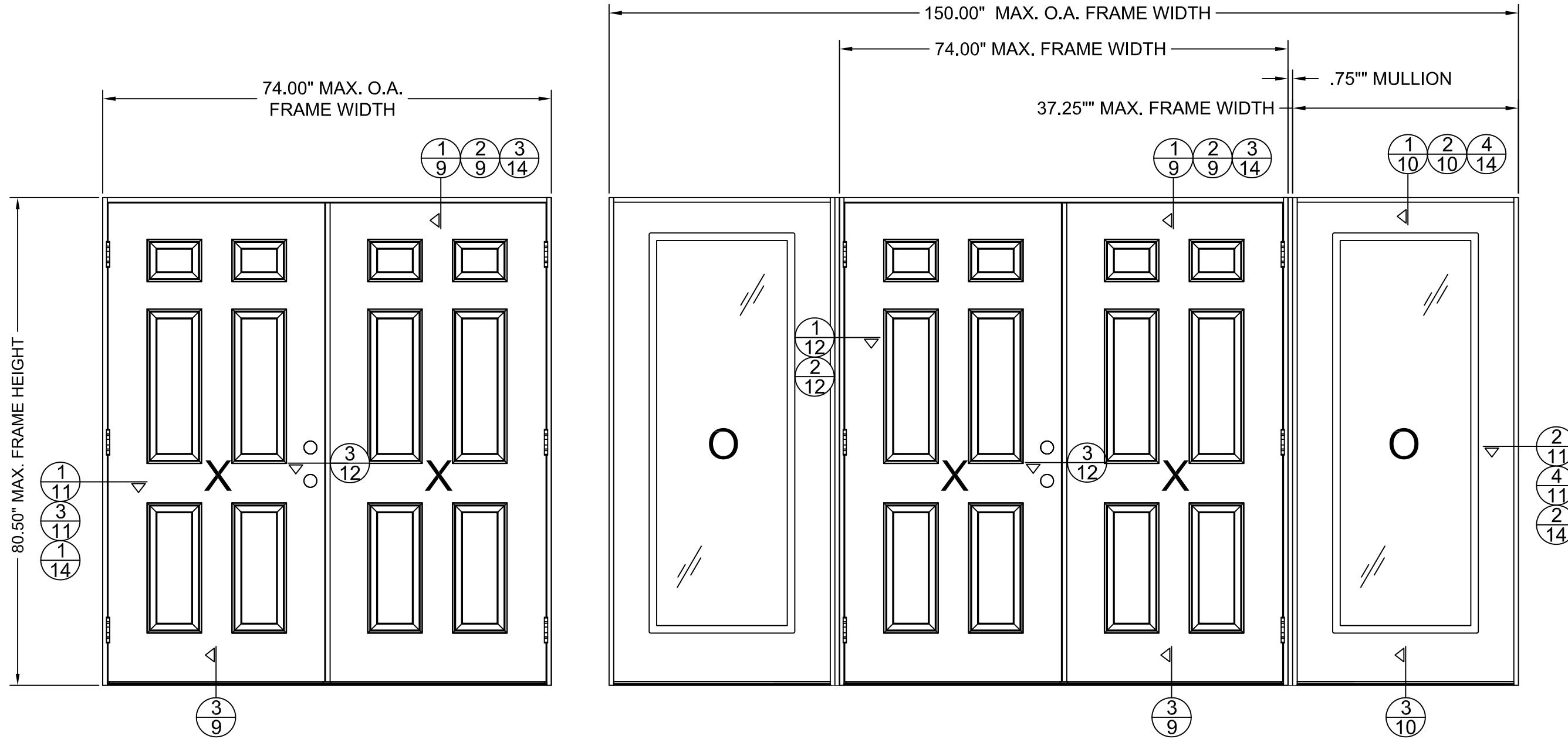
REVISIONS

NO.	DESCRIPTION	BY	DATE
A	DP TABLE UPDATE PER TDI COMMENTS	SM	01.29.17



DATE: 10.24.16
DWN BY: LS
CHK BY: HFN
SCALE: NTS

DWG #: **TGI004**
SHEET: **4 OF 29**



CONFIGURATION	MAX. FRAME DIMENSION	DESIGN PRESSURE (PSF) ALUMINUM ASTRAGAL		DESIGN PRESSURE (PSF) PVC ASTRAGAL	
		POSITIVE	NEGATIVE	POSITIVE	NEGATIVE
XX	74.00" X 80.50"	+55.0	-55.0	+47.0	-47.0
OXXO	150.00" X 80.50"	+55.0	-55.0	+47.0	-47.0

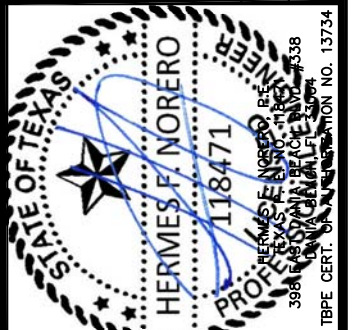
TITLE: OPAQUE FIBERGLASS DOOR
IMPACT OUTSWING

TYPICAL ELEVATION AND
DESIGN PRESSURE

PREPARED BY:
BUILDING DROPS, INC.
398 E. DANIA BEACH BLVD. #338
DANIA BEACH, FL 33004
PH: (954) 399-8478 FX: (954) 744-4738

REVISIONS

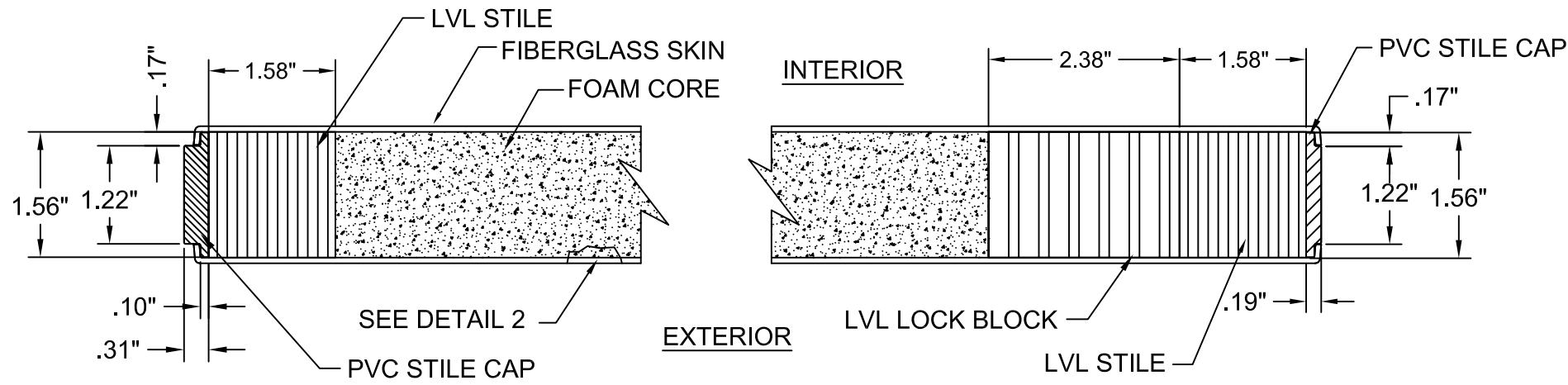
NO.	DESCRIPTION	BY	DATE
A	DP TABLE UPDATE PER TDI COMMENTS	SM	01.29.17



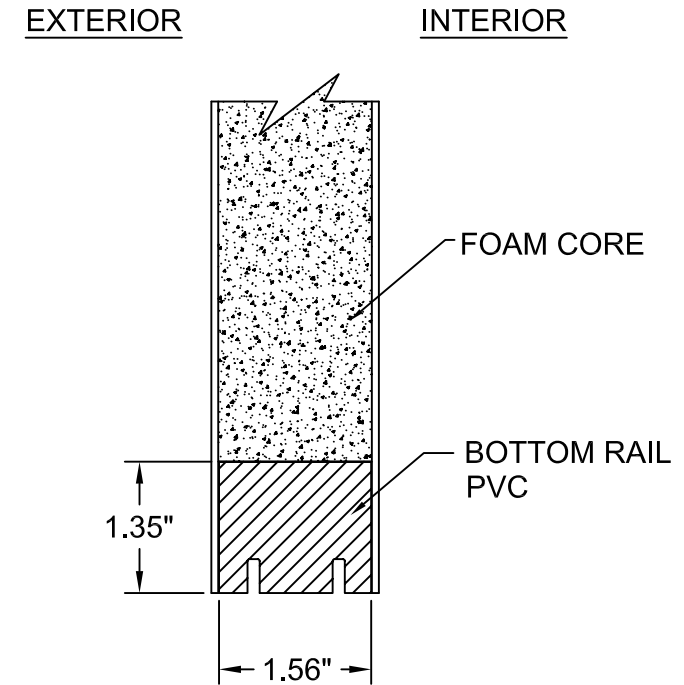
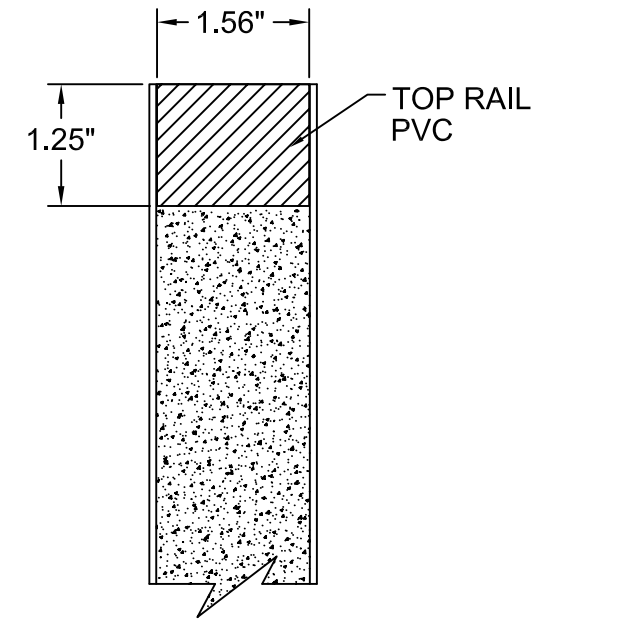
DATE: 10.24.16
DWN BY: LS
CHK BY: HFN
SCALE: NTS

DWG #: **TGI004**
SHEET: **5 OF 29**

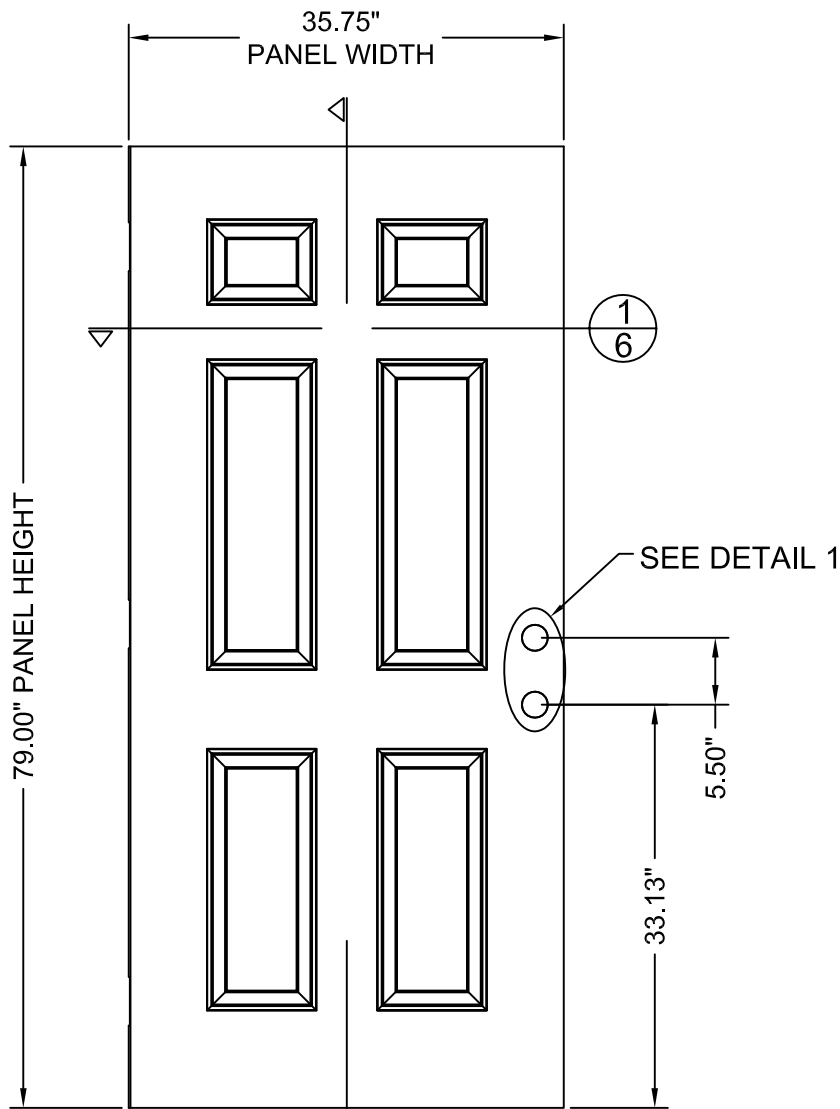
TITLE: OPAQUE FIBERGLASS DOOR
IMPACT OUTSWING
DOOR PANEL
CONSTRUCTION DETAILS
PREPARED BY:
BUILDING DROPS, INC.
398 E. DANIA BEACH BLVD. #338
DANIA BEACH, FL 33004
PH: (954) 399-8478 FX: (954) 744-4738



1
6 HORIZONTAL CROSS SECTION

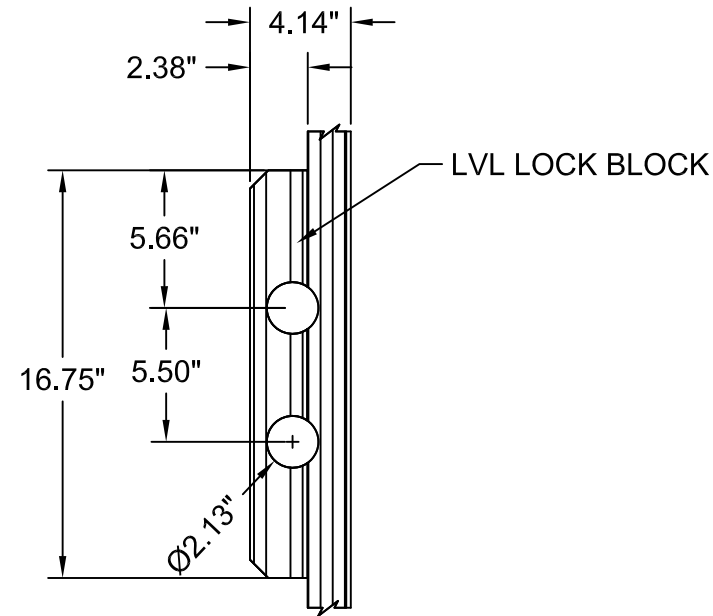


2
6 VERTICAL CROSS SECTION

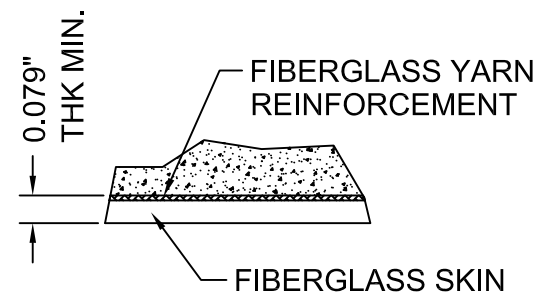


11 OPAQUE DOOR

FIBERGLASS SKIN: 0.079" THICK MIN.
FOAM CORE: POLYURETHANE



DETAIL 1

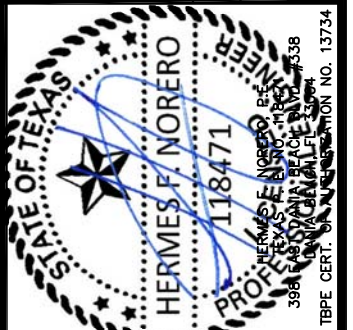


DETAIL 2

LOCKSET HARDWARE	
MANUFACTURER	MODEL
KWIKSET	LOCK & DEADBOLT COMBO SIGNATURE SERIES 991
KWIKSET	LOCK & DEADBOLT COMBO SIGNATURE SERIES 980
SCHLAGE	LOCK: F-SERIES DEADBOLT: B60 SERIES

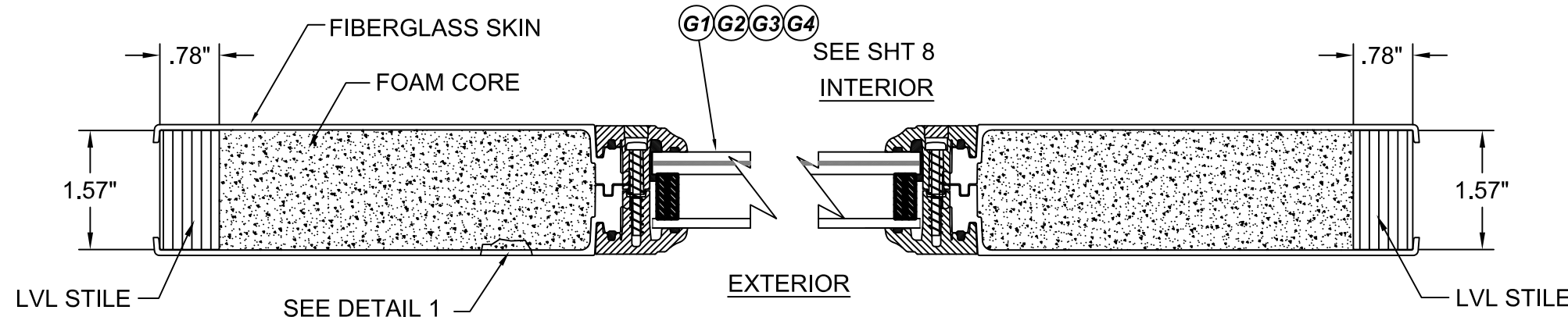
REVISIONS

NO.	DESCRIPTION	BY	DATE
A	DP TABLE UPDATE PER TDI COMMENTS	SM	01.29.17

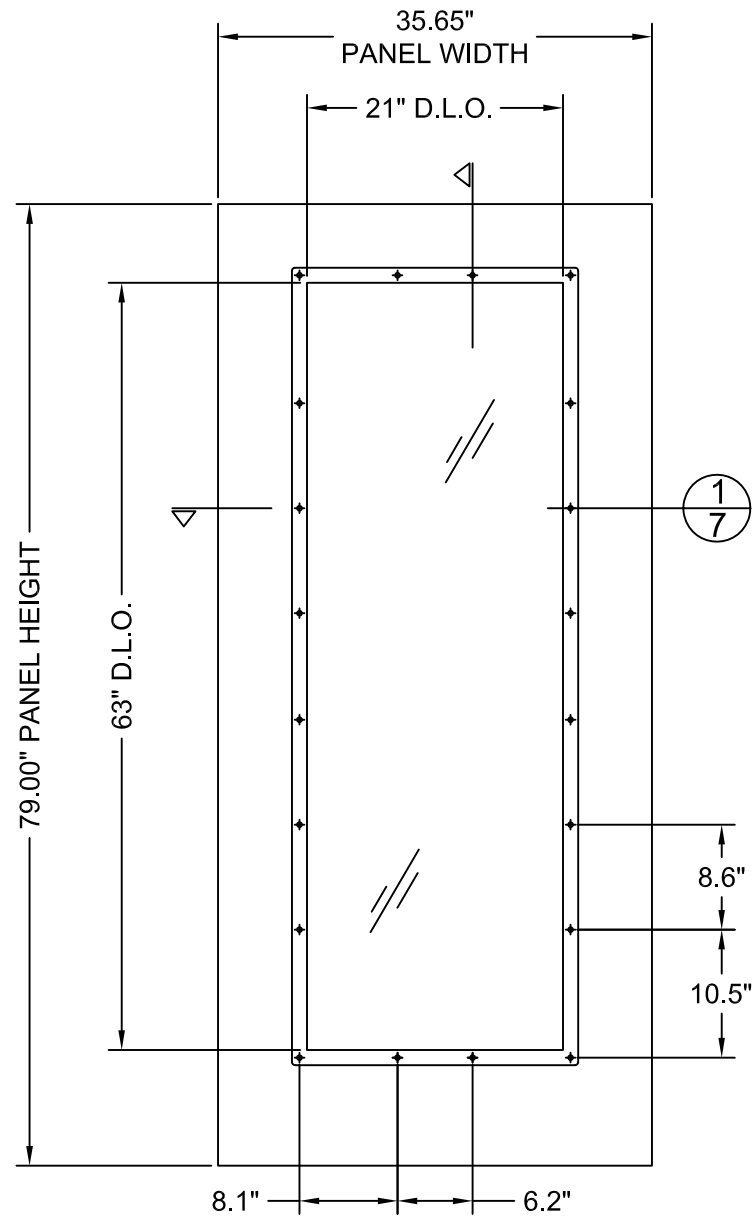


DATE: 10.24.16
DWN BY: LS
CHK BY: HFN
SCALE: NTS

DWG #: **TGI004**
SHEET: **6 OF 29**

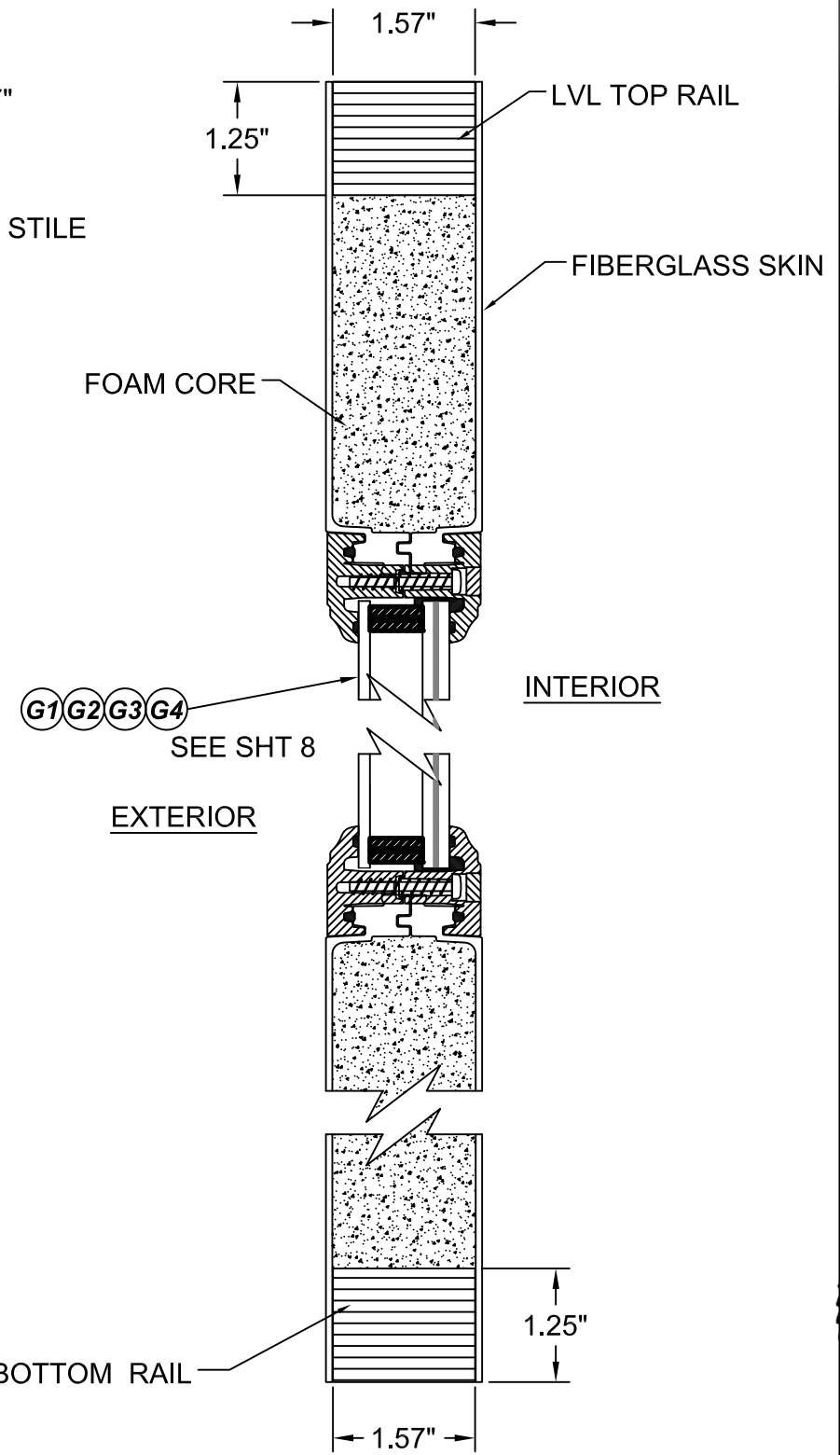
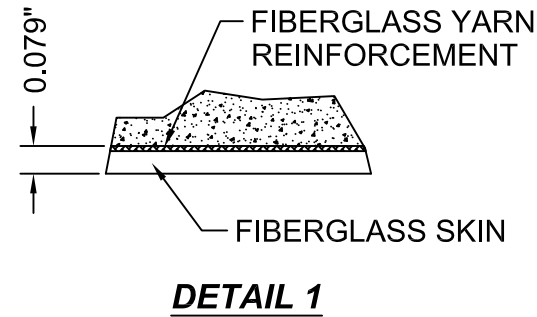


1
7 **HORIZONTAL CROSS SECTION**



2
7

12 **SIDELITE PANEL**
FIBERGLASS SKIN: 0.079" THICK MIN.
FOAM CORE: POLYURETHANE



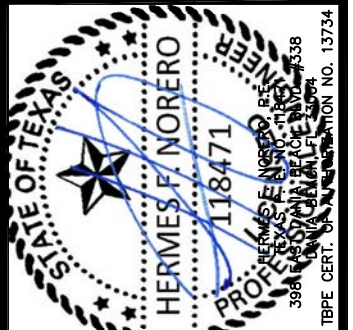
2
7 **VERTICAL CROSS SECTION**

TITLE: OPAQUE FIBERGLASS DOOR IMPACT OUTSWING

SIDELITE PANEL CONSTRUCTION DETAILS	
NO.	DESCRIPTION
A	DP TABLE UPDATE PER TDI COMMENTS
BY	DATE
SM	01.29.17
PREPARED BY:	
BUILDING DROPS, INC. 398 E. DANIA BEACH BLVD. #338 DANIA BEACH, FL 33004	
PH:	(954) 399-8478
FX:	(954) 744-4738

REVISIONS

NO.	DESCRIPTION	BY	DATE
A	DP TABLE UPDATE PER TDI COMMENTS	SM	01.29.17



DATE:	10.24.16
DWN BY:	LS
CHK BY:	HFN
SCALE:	NTS

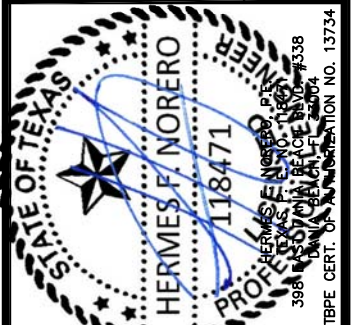
DWG #: **TGI004**
SHEET: **7 OF 29**

TITLE: OPAQUE FIBERGLASS DOOR
IMPACT OUTSWING
GLAZING DETAILS

PREPARED BY:
BUILDING DROPS, INC.
398 E. DANIA BEACH BLVD. #338
DANIA BEACH, FL 33004
PH: (954) 399-8478 FX: (954) 744-4738

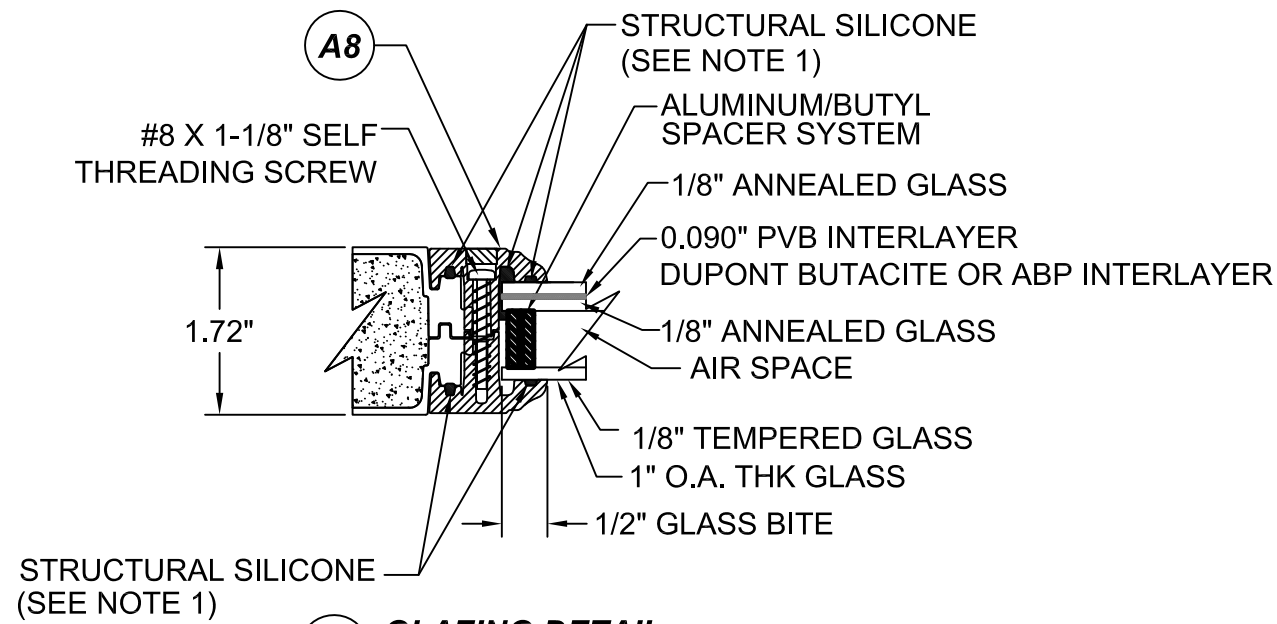
REVISIONS

NO.	DESCRIPTION	BY	DATE
A	DP TABLE UPDATE PER TDI COMMENTS	SM	01.29.17

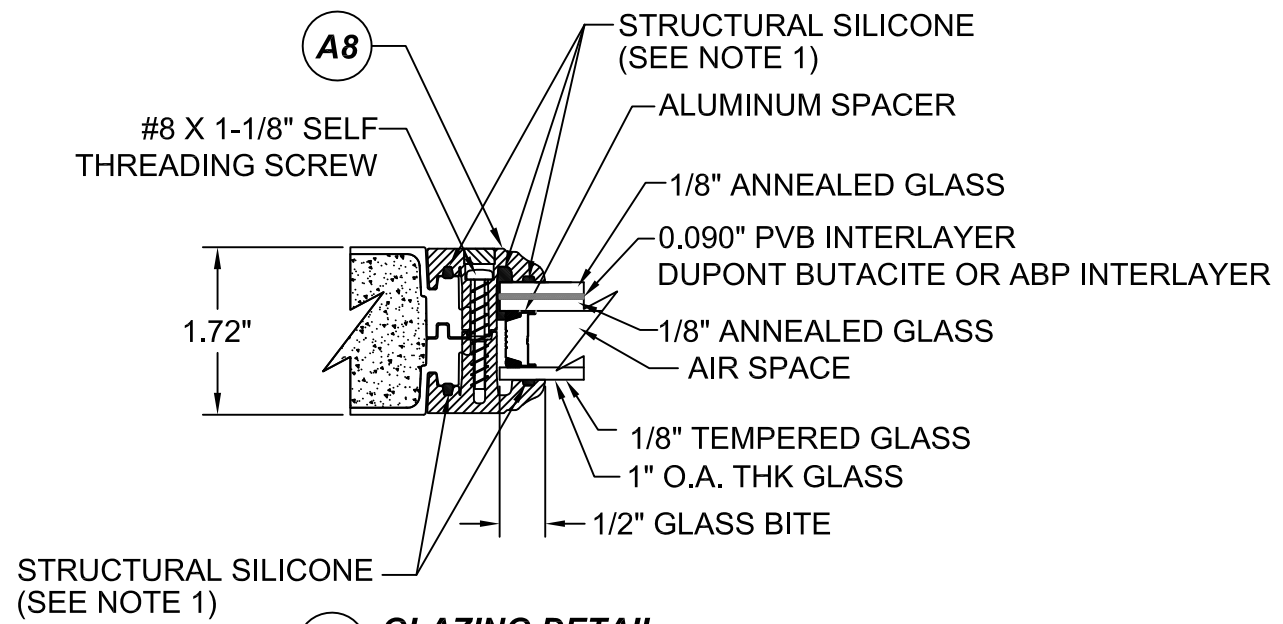


DATE:	DWN BY:	CHK BY:	SCALE:
10.24.16	LS	HFN	NTS

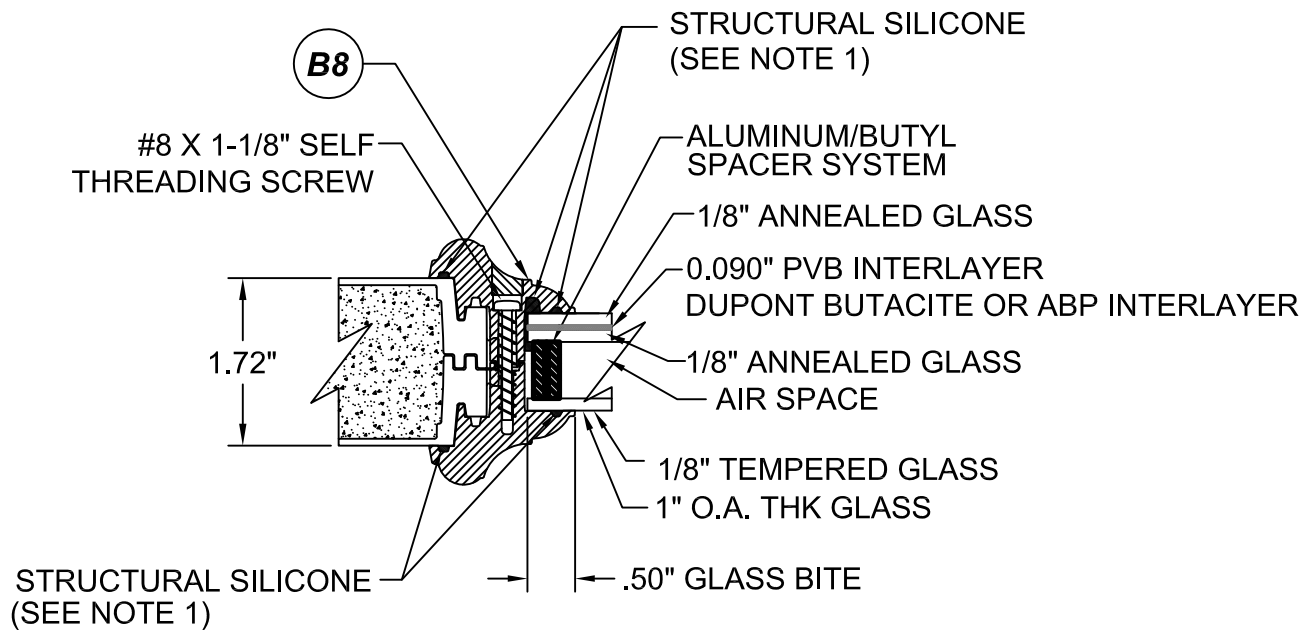
DWG #: **TGI004**
SHEET: **8 OF 29**



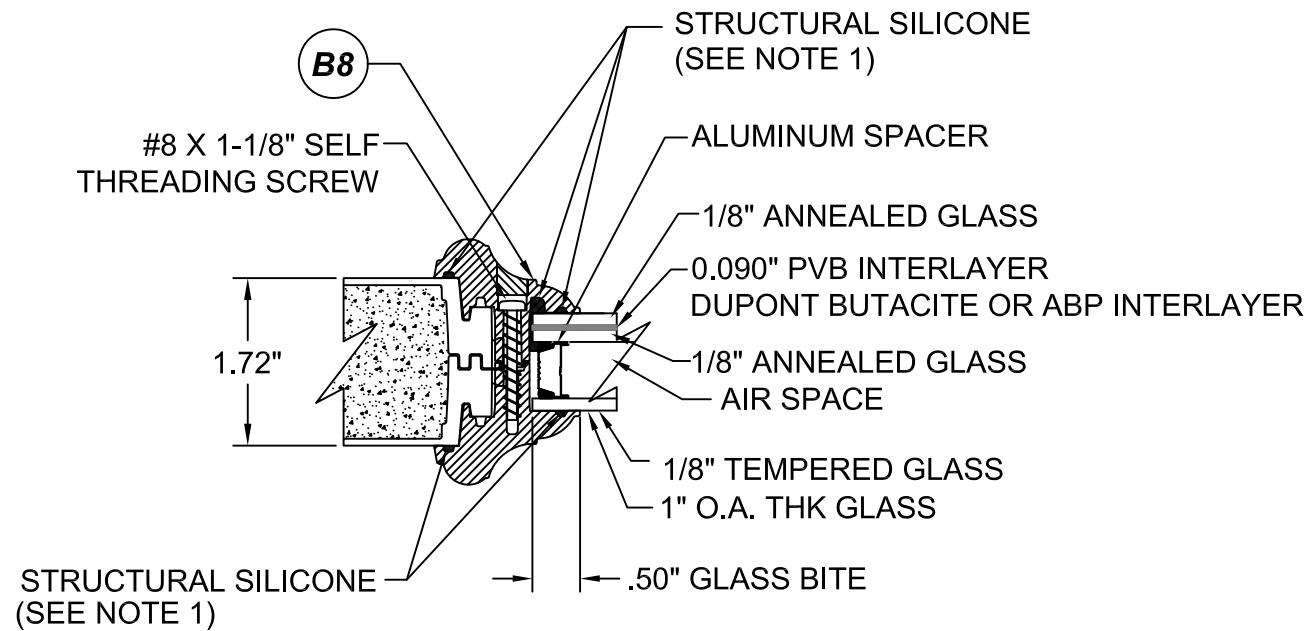
G1 GLAZING DETAIL



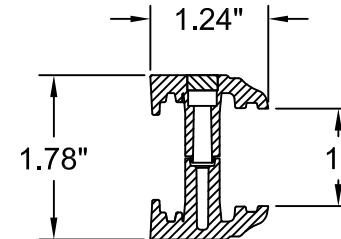
G2 GLAZING DETAIL



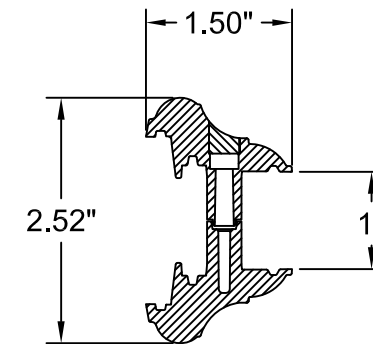
G3 GLAZING DETAIL



G4 GLAZING DETAIL



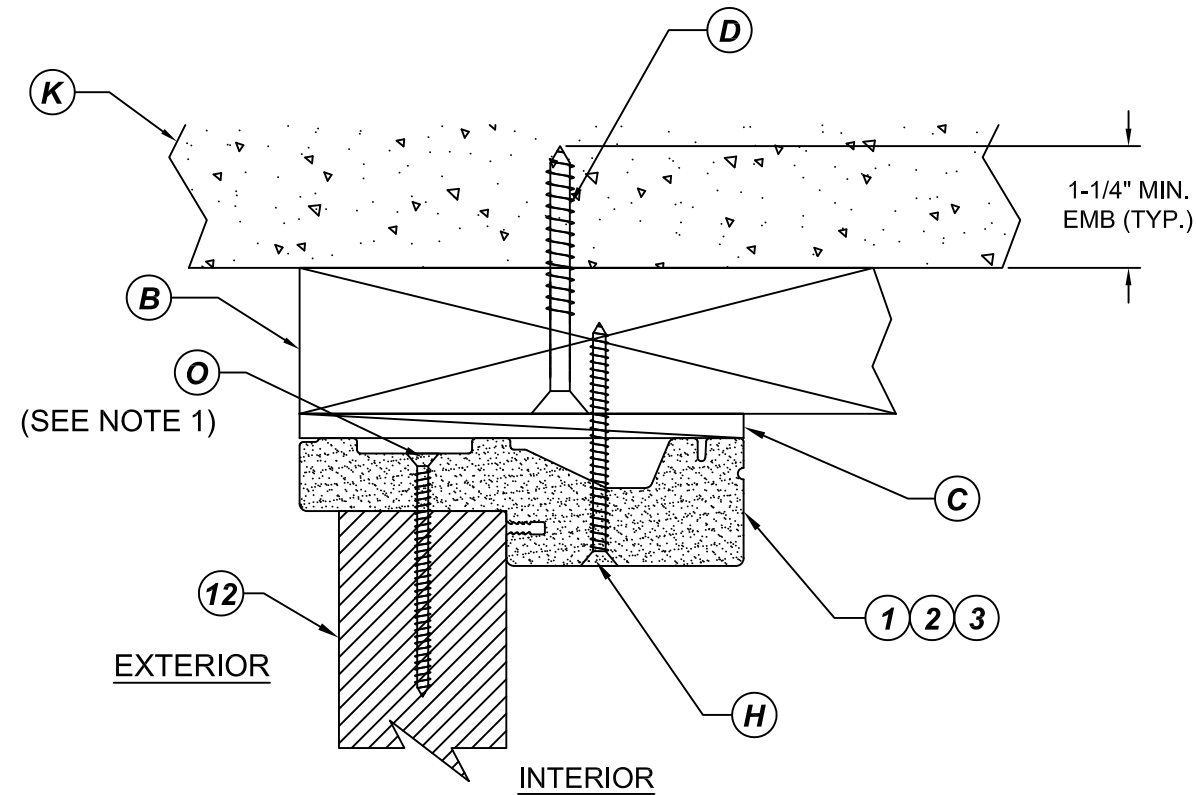
A8 FLUSH GLAZED FRAME
ABS OR PC/ASA



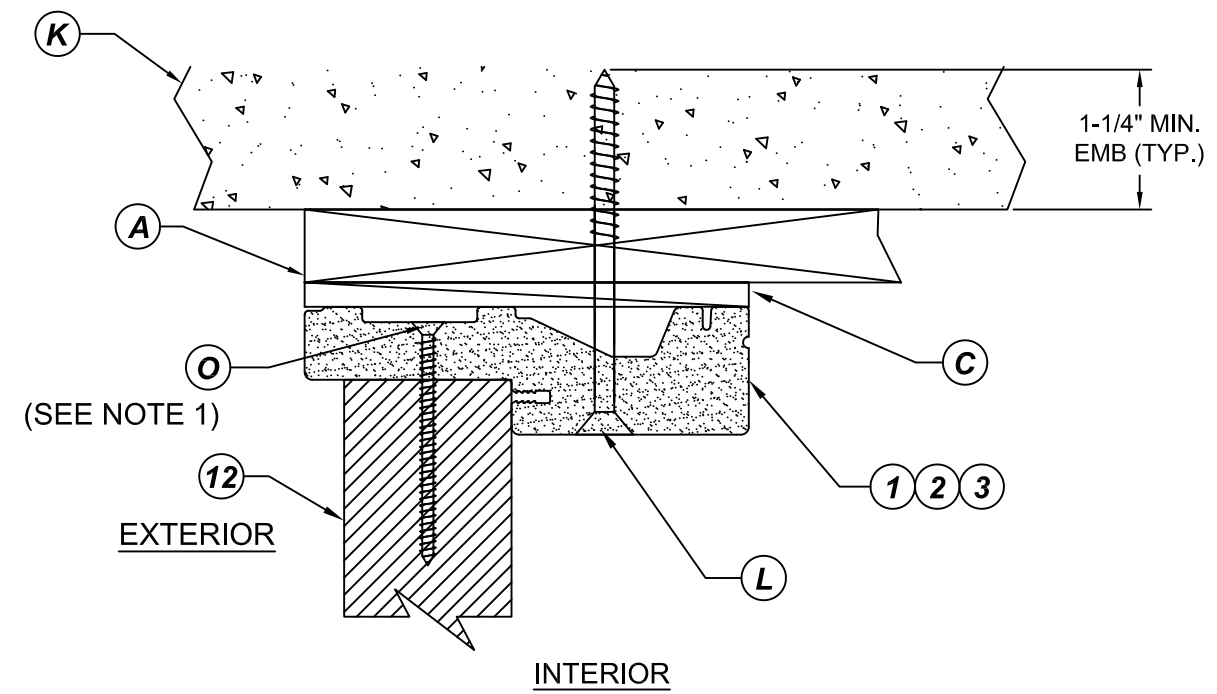
B8 MAHOGANY LITE FRAME
ABS OR PC/ASA

NOTE:

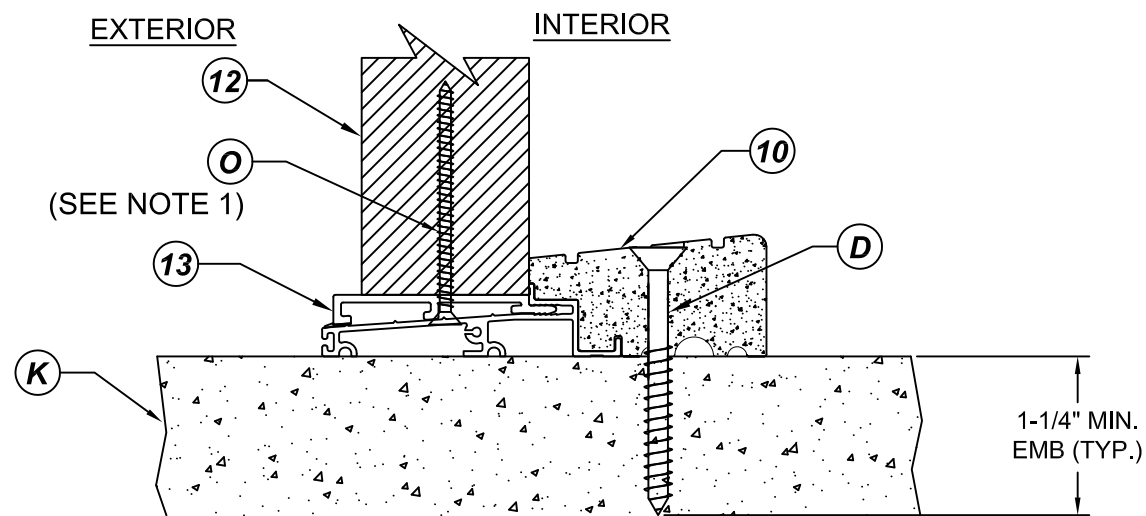
1. STRUCTURAL SILICONE OPTIONS: SILICONE BY CAPSTONE OR DOW 995 STRUCTURAL SILICONE



1
10 VERTICAL CROSS SECTION



2
10 VERTICAL CROSS SECTION
SHOWN W/ 1X WOOD BUCK



3
10 VERTICAL CROSS SECTION

NOTE:

1. SCREWS THRU HEAD JAMB AND SILL. EACH SCREWS LOCATED 1/3 DISTANCE OF SIDELITE PANEL WIDTH FROM EACH ENDS.

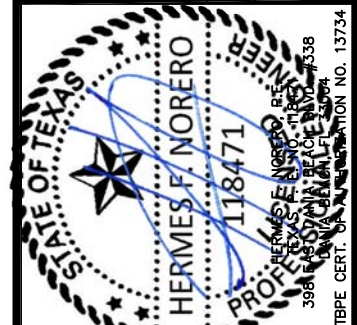
TITLE: OPAQUE FIBERGLASS DOOR
IMPACT OUTSWING

VERTICAL CROSS SECTIONS

PREPARED BY:
BUILDING DROPS, INC.
398 E. DANIA BEACH BLVD. #338
DANIA BEACH, FL 33004
PH: (954) 399-8478 FX: (954) 744-4738

REVISIONS

NO.	DESCRIPTION	BY	DATE
A	DP TABLE UPDATE PER TDI COMMENTS	SM	01.29.17

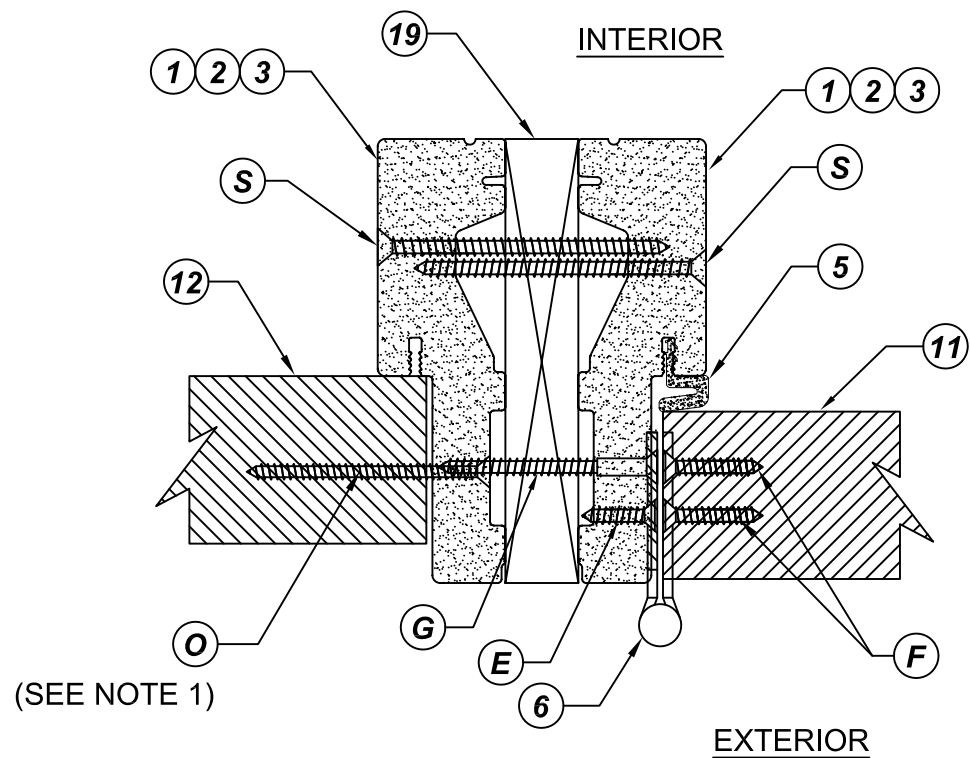


DATE: 10.24.16	DWN BY: LS	CHK BY: HFN	SCALE: NTS
-------------------	---------------	----------------	---------------

DWG #: **TGI004**

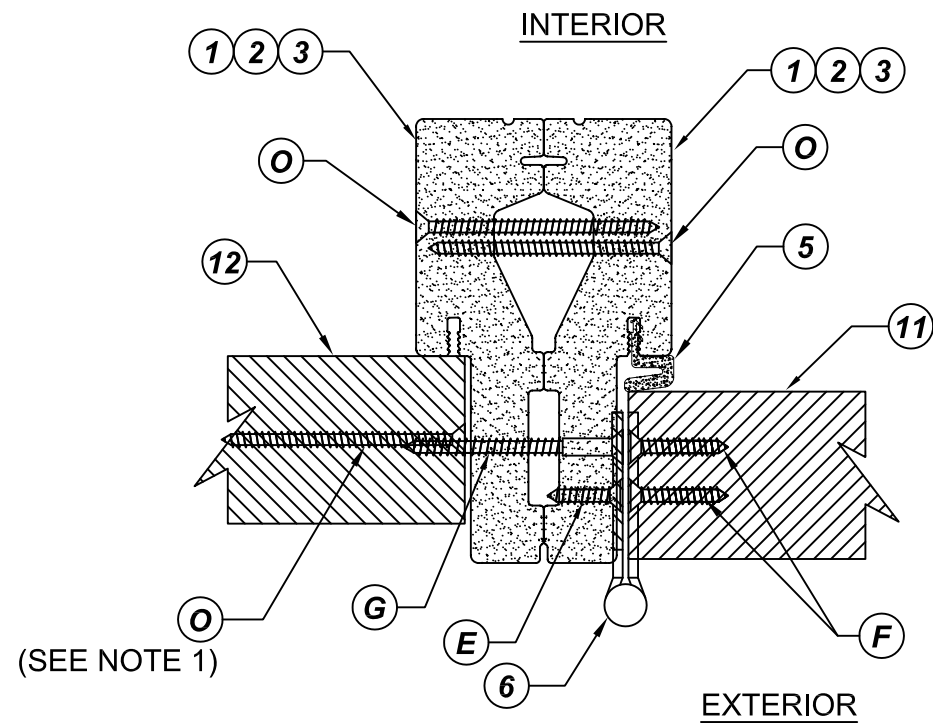
SHEET: **10 OF 29**

TITLE: OPAQUE FIBERGLASS DOOR
IMPACT OUTSWING
HORIZONTAL
CROSS SECTIONS
PREPARED BY:
BUILDING DROPS, INC.
398 E. DANIA BEACH BLVD. #338
DANIA BEACH, FL 33004
PH: (954) 399-8478 FX: (954) 744-4738



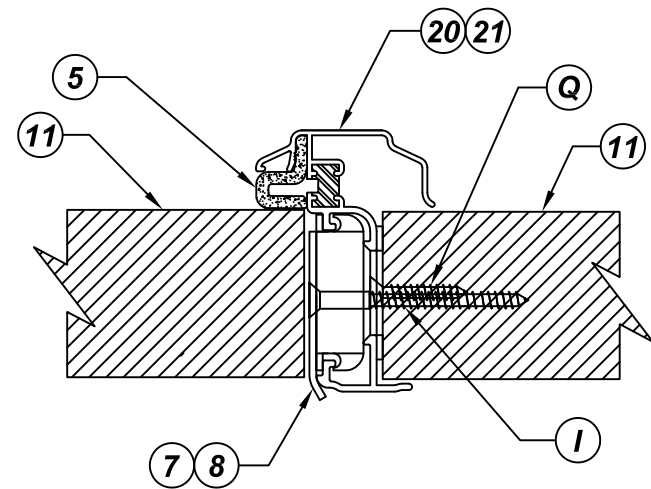
(SEE NOTE 1)

1
12 HORIZONTAL CROSS SECTION

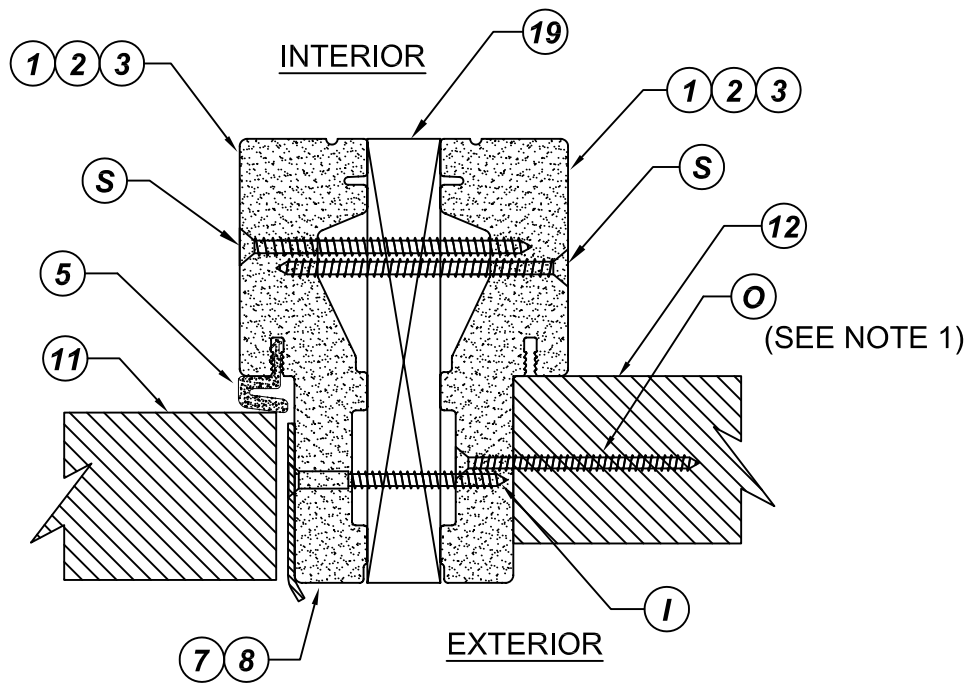


(SEE NOTE 1)

2
12 HORIZONTAL CROSS SECTION



3
12 HORIZONTAL CROSS SECTION



(SEE NOTE 1)

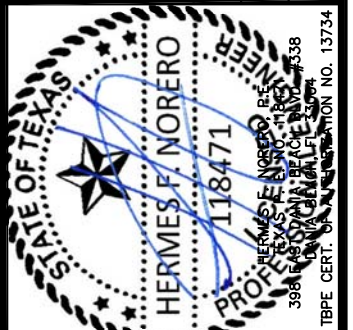
4
12 HORIZONTAL CROSS SECTION

NOTE:

1. SIDELITE SCREWS LOCATED 6" FROM EACH END OF SIDE JAMB AND 3 EQUALLY SPACED SCREWS FROM THE END SCREWS.

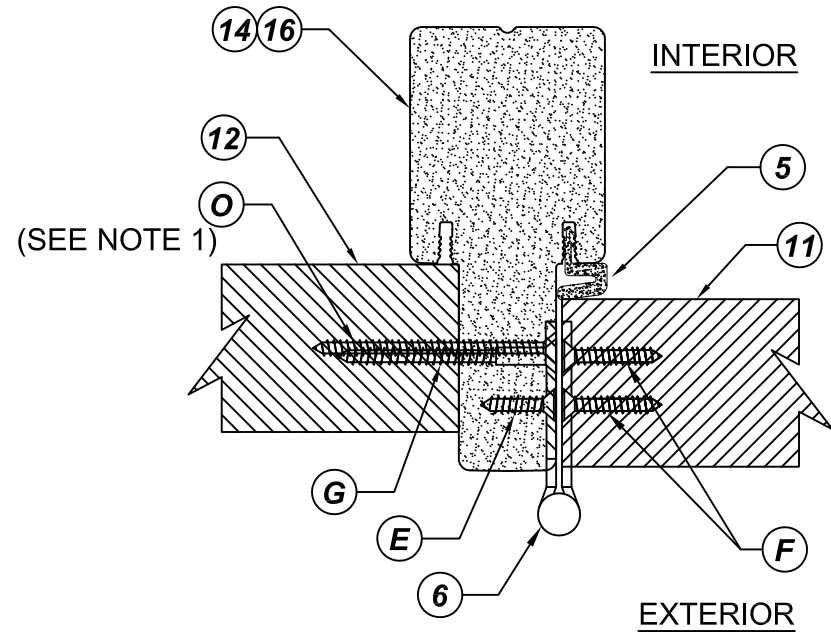
REVISIONS

NO.	DESCRIPTION	BY	DATE
A	DP TABLE UPDATE PER TDI COMMENTS	SM	01.29.17

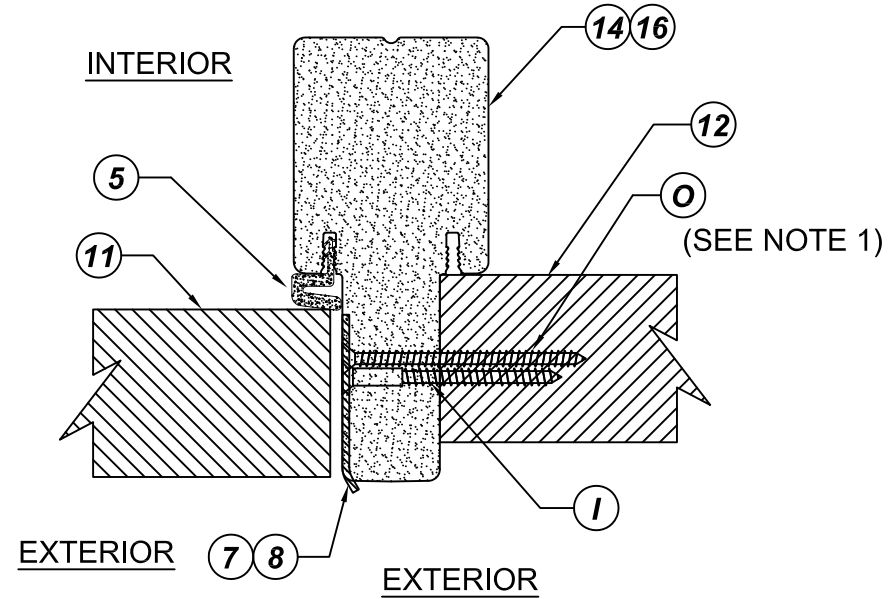


DATE:	DWN BY:	CHK BY:	SCALE:
10.24.16	LS	HFN	NTS

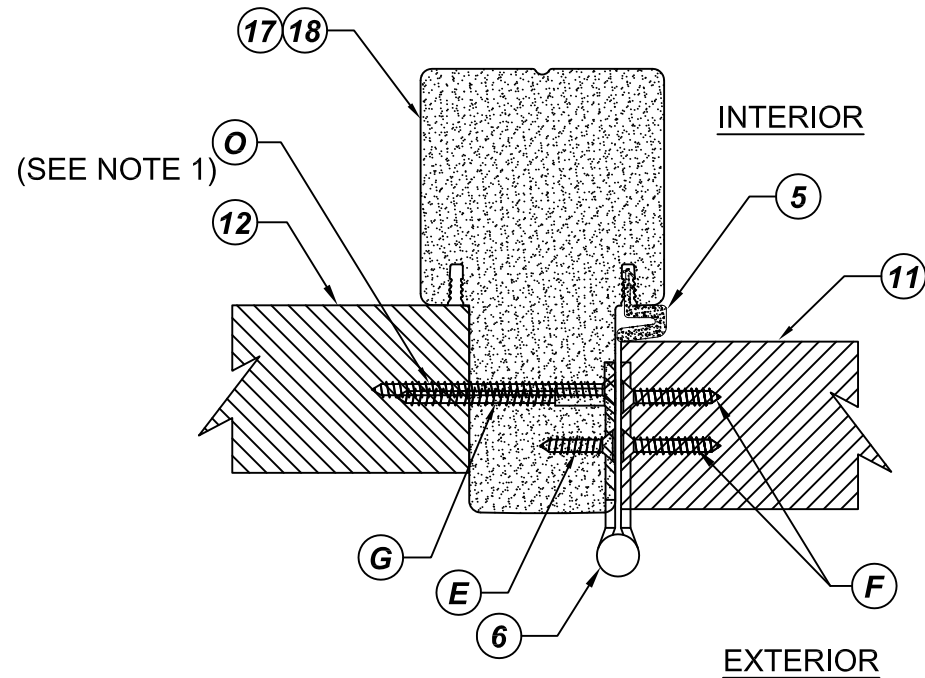
DWG #:
TGI004
SHEET: **12 OF 29**



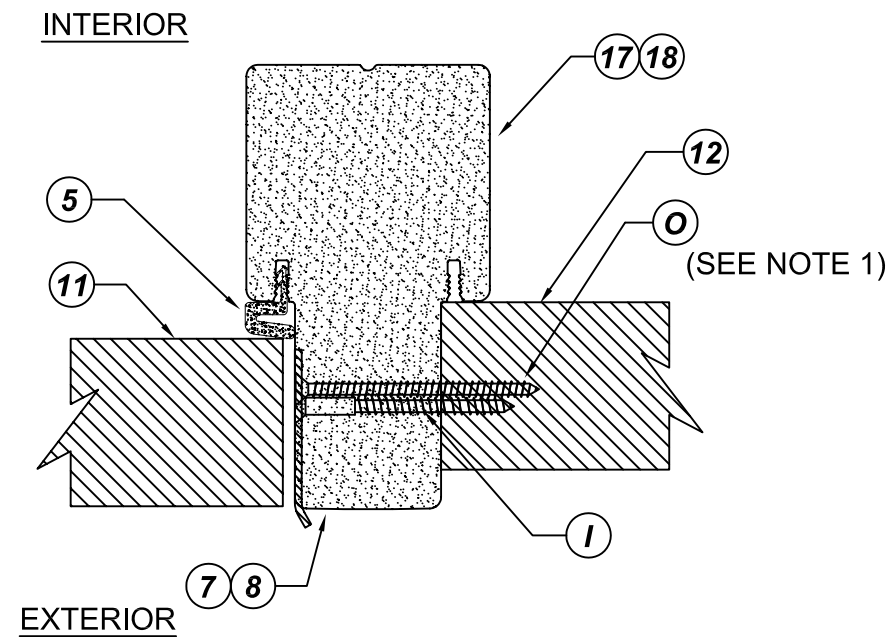
1
13 HORIZONTAL CROSS SECTION



2
13 HORIZONTAL CROSS SECTION



3
13 HORIZONTAL CROSS SECTION



4
13 HORIZONTAL CROSS SECTION

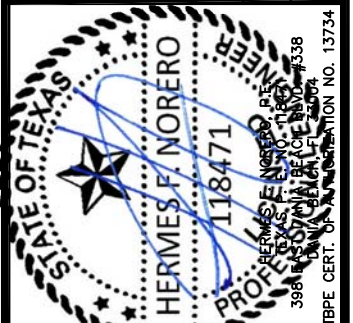
NOTE:

1. SIDELITE SCREWS LOCATED 6" FROM EACH END OF SIDE JAMB AND 3 EQUALLY SPACED SCREWS FROM THE END SCREWS.

TITLE: OPAQUE FIBERGLASS DOOR
IMPACT OUTSWING
**HORIZONTAL
CROSS SECTIONS**
PREPARED BY:
BUILDING DROPS, INC.
398 E. DANIA BEACH BLVD. #3338
DANIA BEACH, FL 33004
PH: (954) 399-8478 FX: (954) 744-4738

REVISIONS

NO.	DESCRIPTION	BY	DATE
A	DP TABLE UPDATE PER TDI COMMENTS	SM	01.29.17



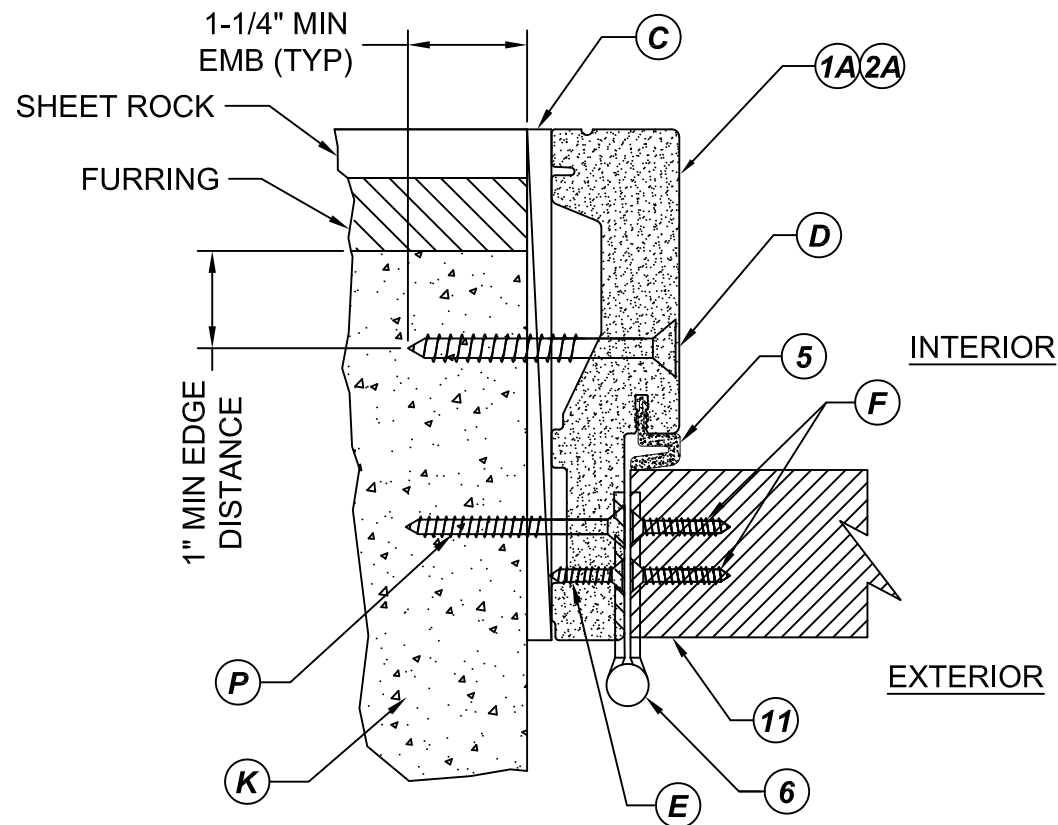
DATE: 10.24.16
DWN BY: LS
CHK BY: HFN
SCALE: NTS

DWG #: **TGI004**
SHEET: **13 OF 29**

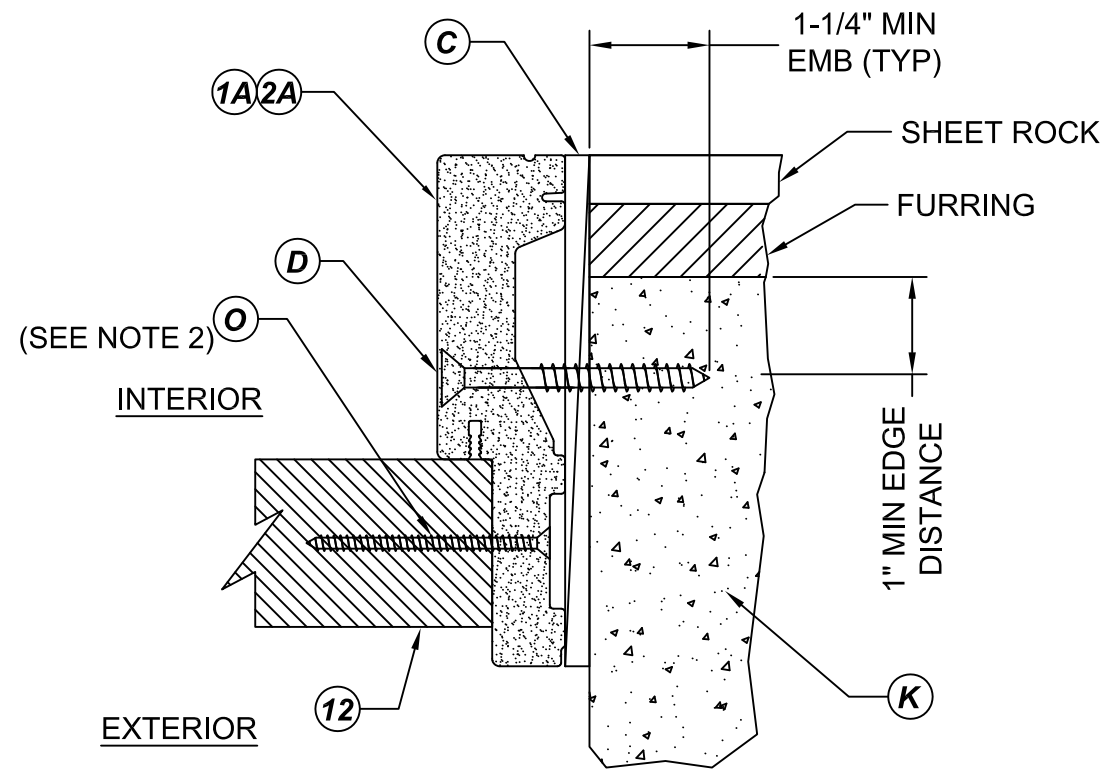
TITLE: OPAQUE FIBERGLASS DOOR
IMPACT OUTSWING

HORIZONTAL & VERTICAL
CROSS SECTIONS

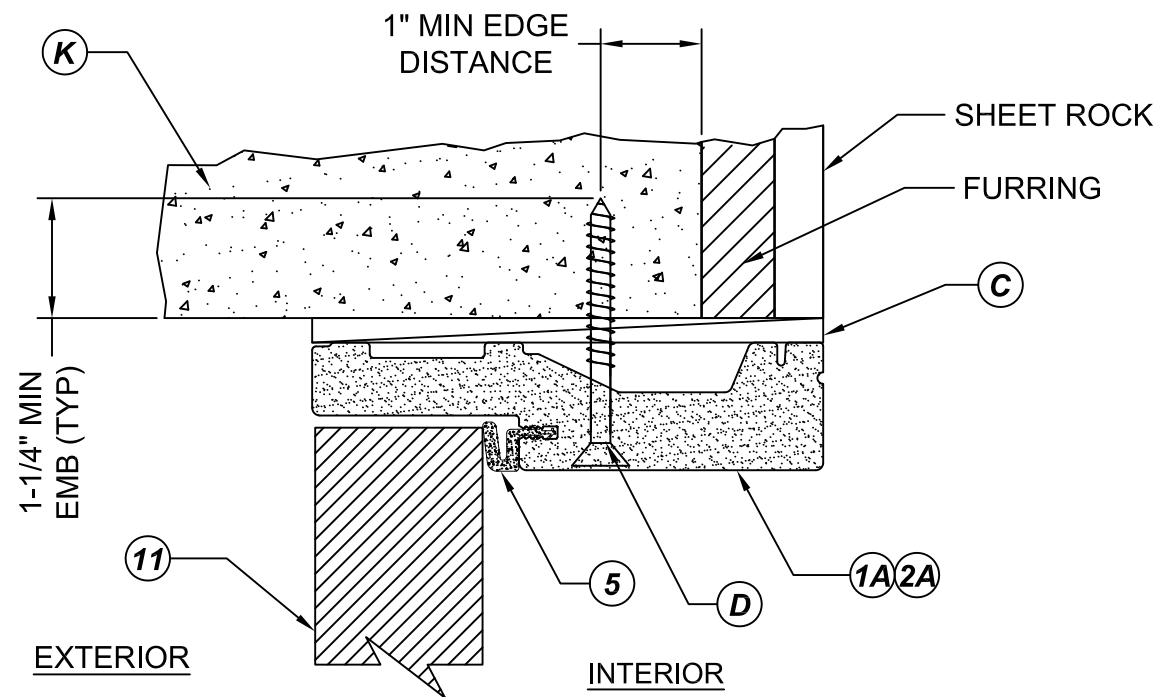
PREPARED BY:
BUILDING DROPS, INC.
398 E. DANIA BEACH BLVD. #338
DANIA BEACH, FL 33004
PH: (954) 399-8478 FX: (954) 744-4738



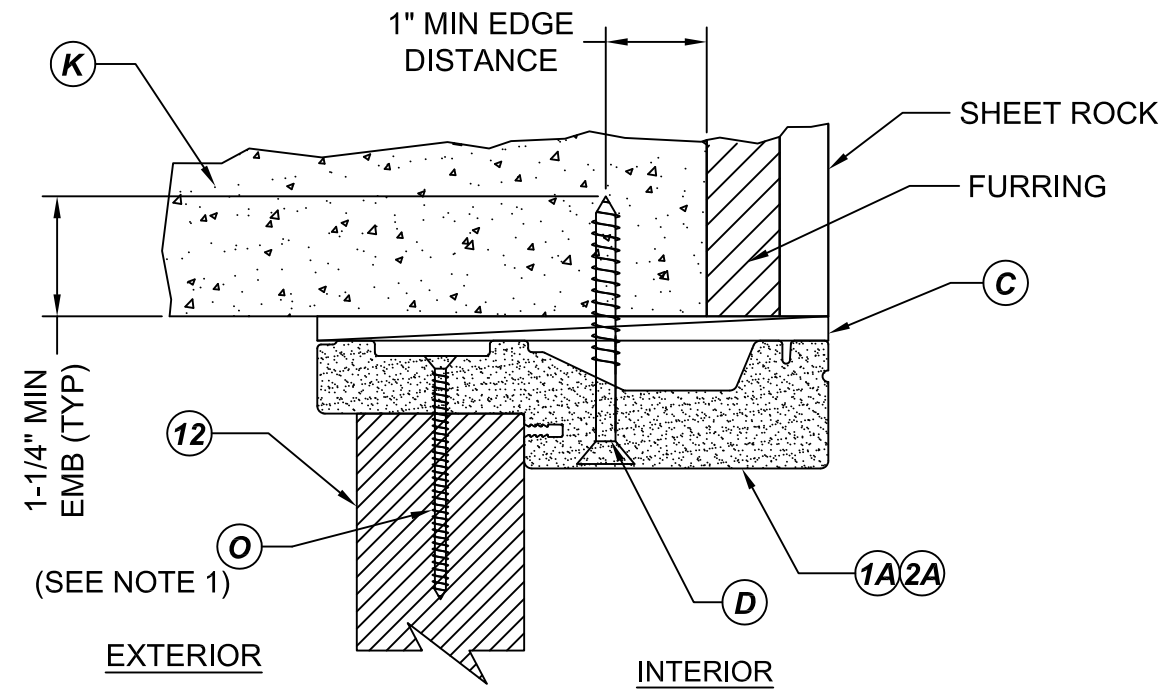
1
14 **HORIZONTAL CROSS SECTION**
Direct to masonry
(5-1/4" min jamb)



2
14 **HORIZONTAL CROSS SECTION**
Direct to masonry
(5-1/4" min jamb)



3
14 **VERTICAL CROSS SECTION**
Direct to masonry
(5-1/4" min jamb)



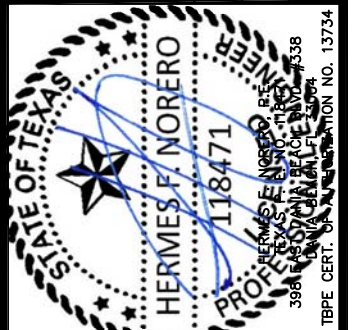
4
14 **VERTICAL CROSS SECTION**
Direct to masonry
(5-1/4" min jamb)

NOTE:

1. SCREWS THRU HEAD JAMB AND SILL. EACH SCREWS LOCATED 1/3 DISTANCE OF SIDELITE PANEL WIDTH FROM EACH ENDS.
2. SIDELITE SCREWS LOCATED 6" FROM EACH END OF MULLION AND 3 EQUALLY SPACED SCREWS FROM THE END SCREWS.

REVISIONS

NO.	DESCRIPTION	BY	DATE
A	DP TABLE UPDATE PER TDI COMMENTS	SM	01.29.17



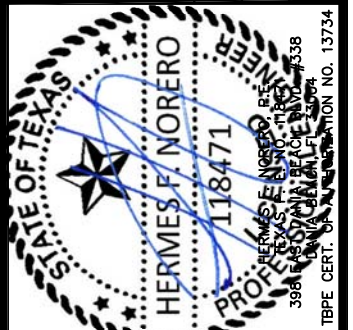
DATE:	10.24.16
DWN BY:	LS
CHK BY:	HFN
SCALE:	NTS

DWG #: **TGI004**
SHEET: **14 OF 29**

TITLE: OPAQUE FIBERGLASS DOOR
IMPACT OUTSWING
**HORIZONTAL
CROSS SECTIONS**
PREPARED BY:
BUILDING DROPS, INC.
398 E. DANIA BEACH BLVD. #338
DANIA BEACH, FL 33004
PH: (954) 399-8478 FX: (954) 744-4738

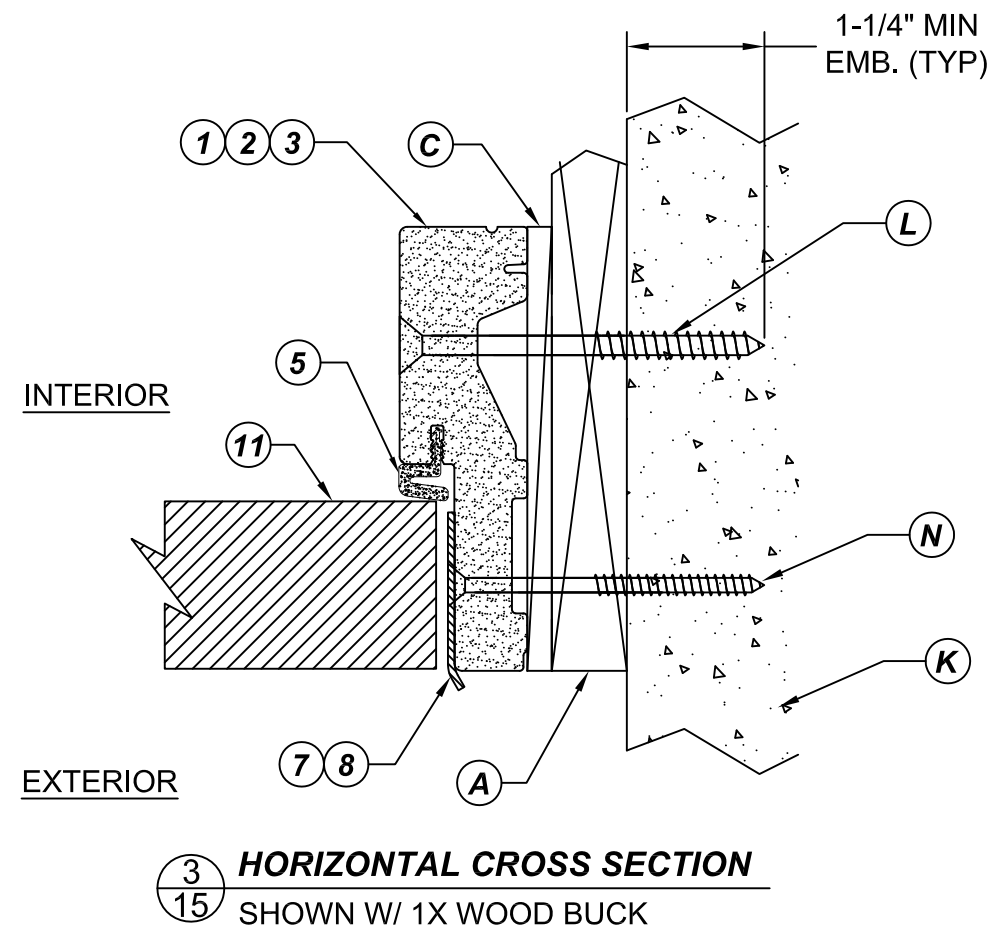
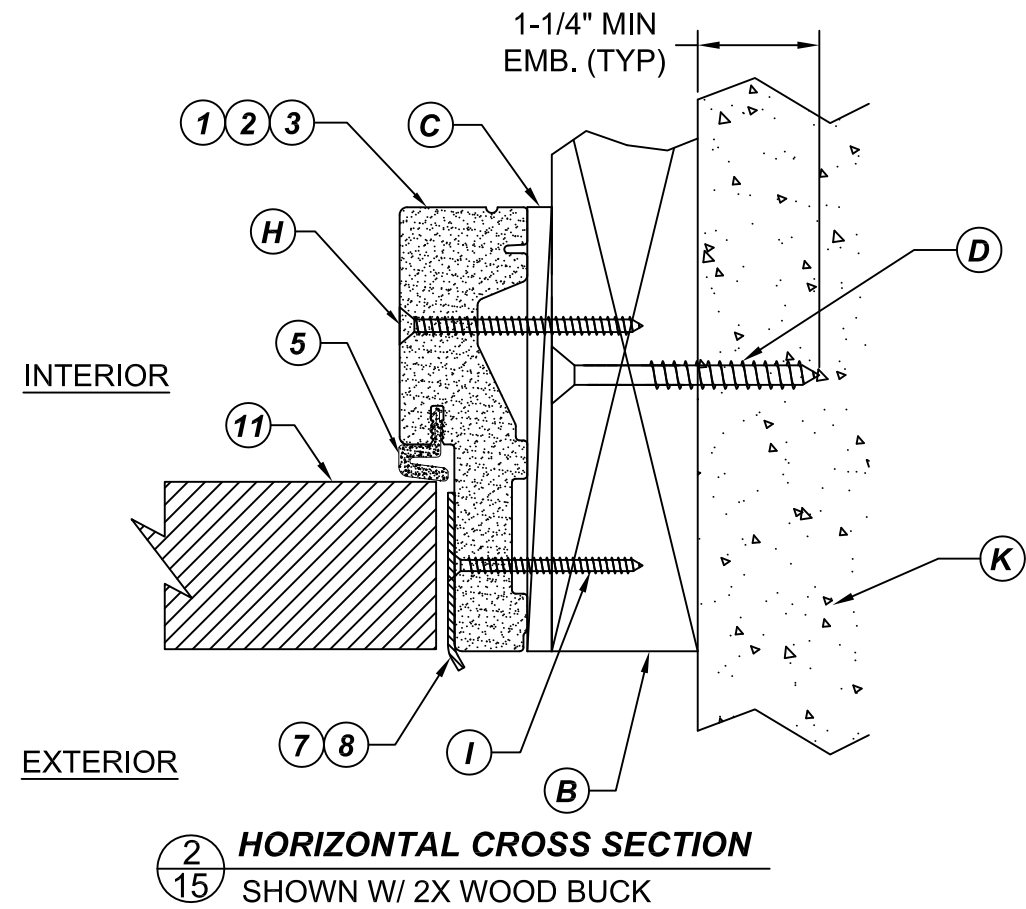
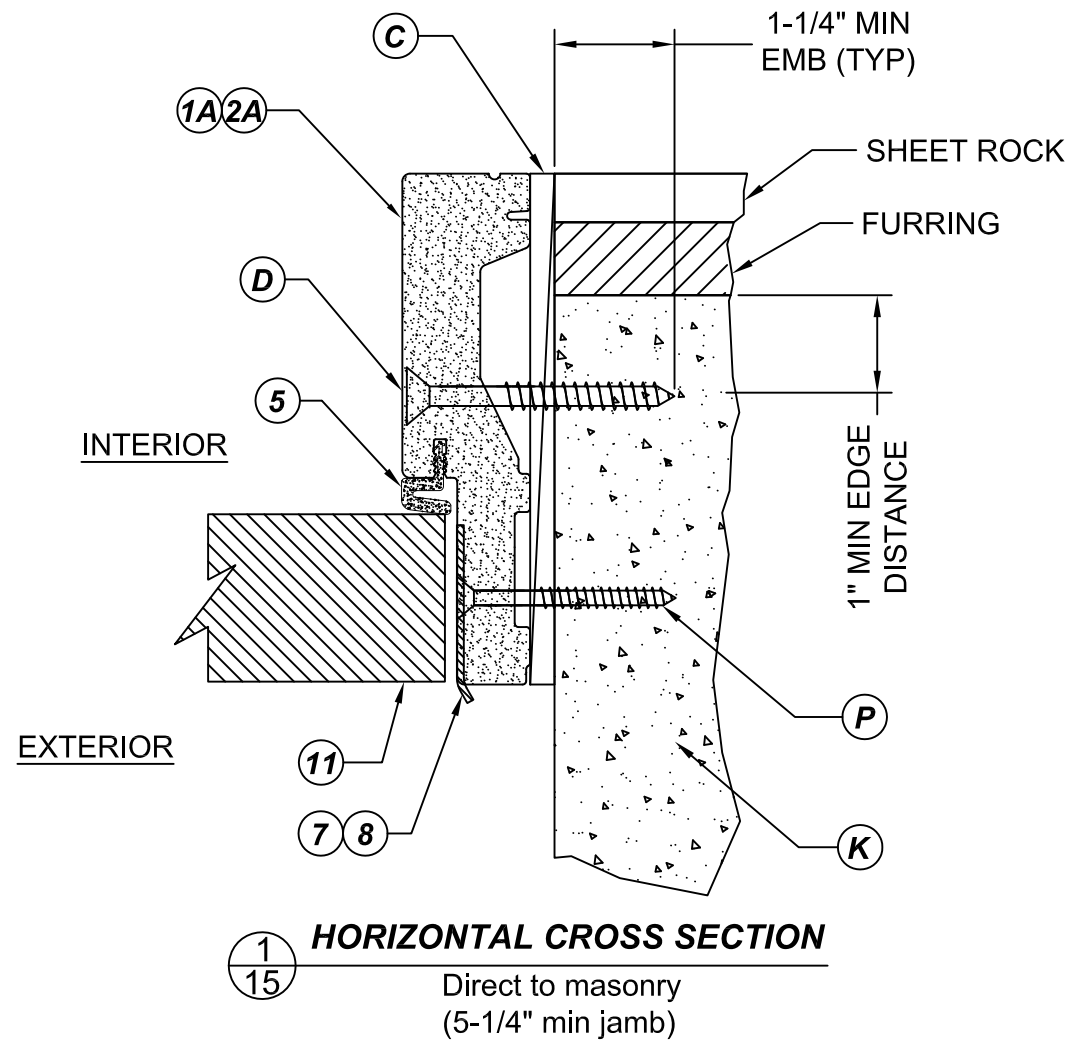
REVISIONS

NO.	DESCRIPTION	BY	DATE
A	DP TABLE UPDATE PER TDI COMMENTS	SM	01.29.17

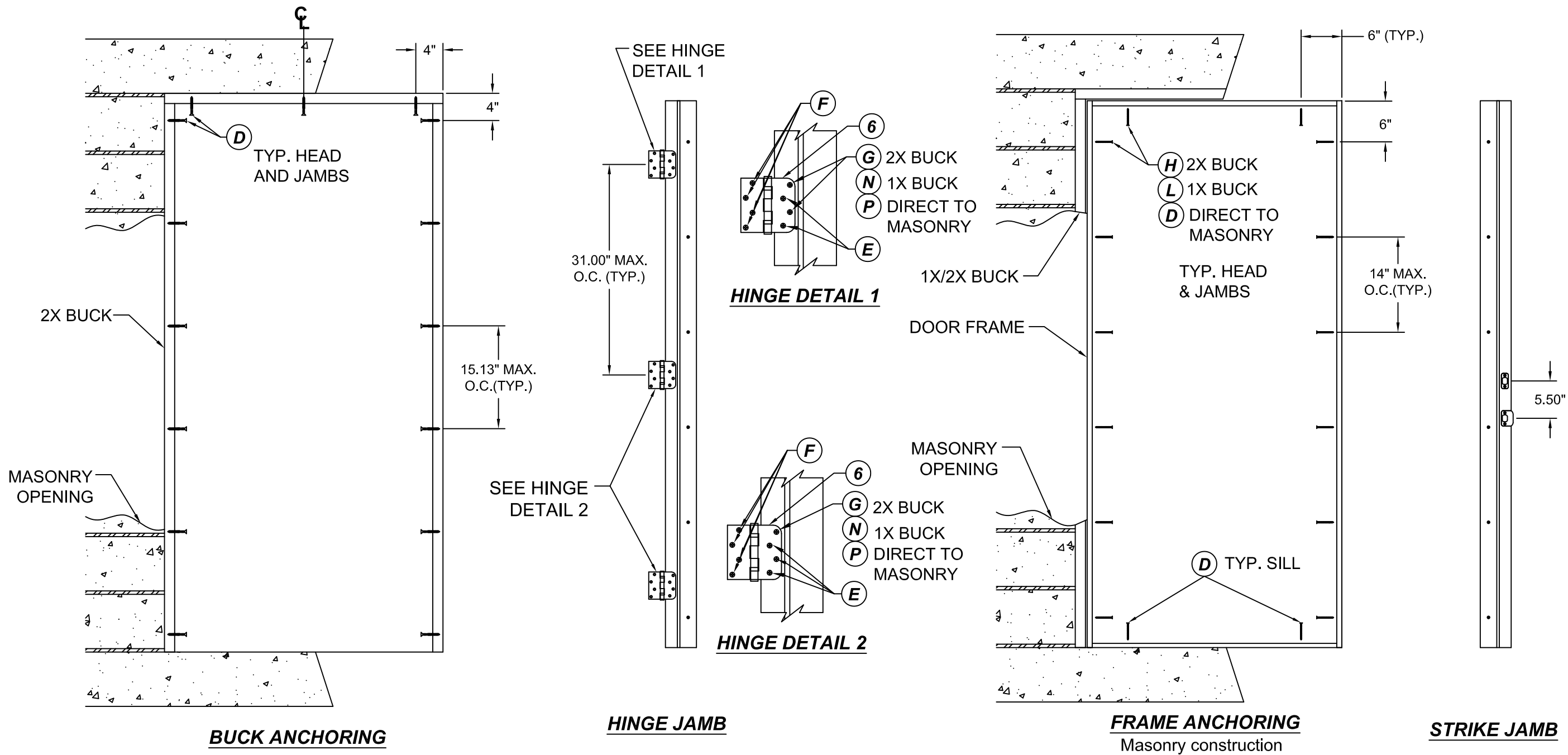


DATE: 10.24.16
DWN BY: LS
CHK BY: HFN
SCALE: NTS

DWG #: **TGI004**
SHEET: **15 OF 29**



TITLE: OPAQUE FIBERGLASS DOOR
IMPACT OUTSWING
BUCK & FRAME
ANCHORING
PREPARED BY:
BUILDING DROPS, INC.
398 E. DANIA BEACH BLVD. #338
DANIA BEACH, FL 33004
PH: (954) 399-8478 FX: (954) 744-4738



REVISIONS

NO.	DESCRIPTION	BY	DATE
A	DP TABLE UPDATE PER TDI COMMENTS	SM	01.29.17

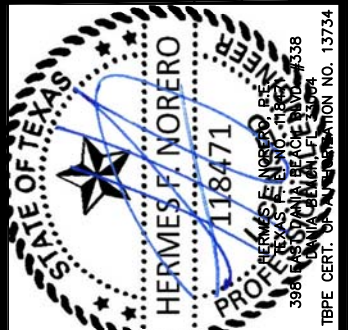
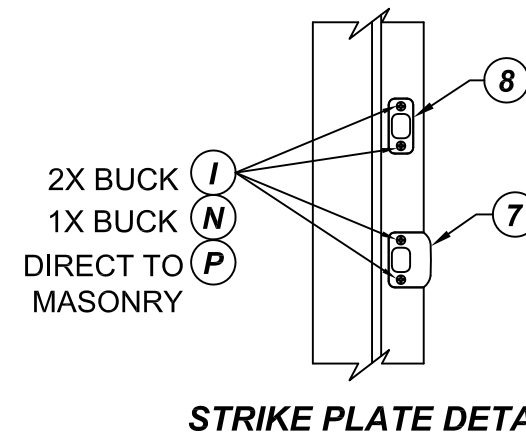
CONCRETE ANCHOR NOTES:

- Concrete anchor locations noted as "MAX ON CENTER" and at the corners must be adjusted to maintain min. edge distance to mortar joints. Additional concrete anchors may be required to ensure the "MAX ON CENTER" dimensions are not exceeded.
- Concrete anchor table:

ANCHOR TYPE	ANCHOR SIZE	MIN. EMBEDMENT	MIN. CLEARANCE TO MASONRY EDGE	MIN CLEARANCE TO ADJUSTMENT ANCHOR
ITW BUILDEX TAPCON®	1/4"	1-1/4"	2"	4"
ELCO ULTRA CON®	1/4"	1-1/4"	1"	4"
ITW BUILDEX TAPCON®	3/16"	1-1/4"	3"	1-1/2"

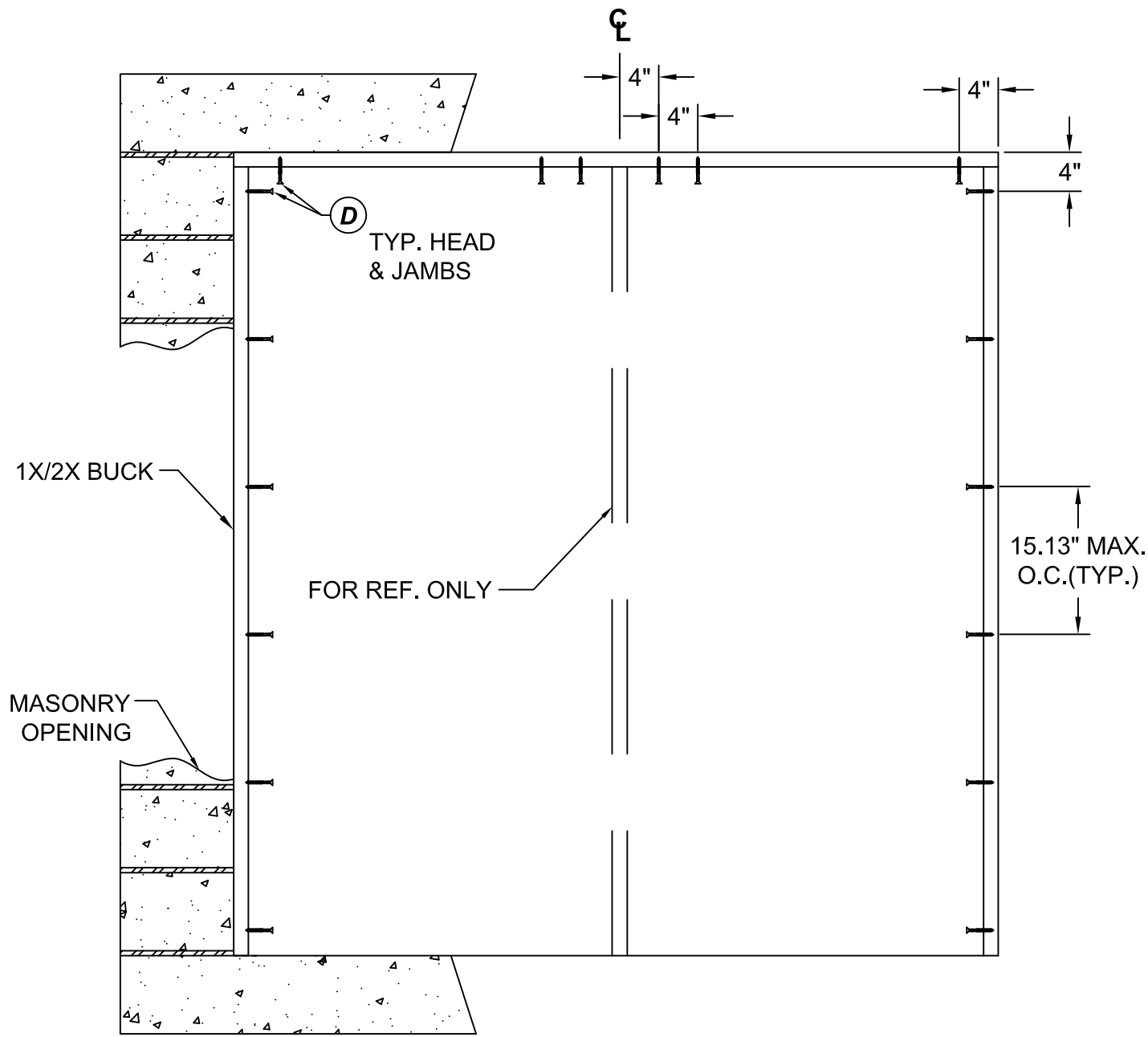
WOOD SCREW INSTALLATION NOTES:

- Maintain a min. 5/8" edge distance, & 1" o.c. spacing of wood screws to prevent splitting of wood.



DATE: 10.24.16
DWN BY: LS
CHK BY: HFN
SCALE: NTS

DWG #: **TGI004**
SHEET: **16 OF 29**



BUCK ANCHORING

CONCRETE ANCHOR NOTES:

- Concrete anchor locations noted as "MAX ON CENTER" and at the corners must be adjusted to maintain min. edge distance to mortar joints. Additional concrete anchors may be required to ensure the "MAX ON CENTER" dimensions are not exceeded.
- Concrete anchor table:

ANCHOR TYPE	ANCHOR SIZE	MIN. EMBEDMENT	MIN. CLEARANCE TO MASONRY EDGE	MIN CLEARANCE TO ADJUSTMENT ANCHOR
ITW BUILDEX TAPCON®	1/4"	1-1/4"	2"	4"
ELCO ULTRACON®	1/4"	1-1/4"	1"	4"
ITW BUILDEX TAPCON®	3/16"	1-1/4"	3"	1-1/2"

WOOD SCREW INSTALLATION NOTES:

- Maintain a min. 5/8" edge distance, & 1" o.c. spacing of wood screws to prevent splitting of wood.

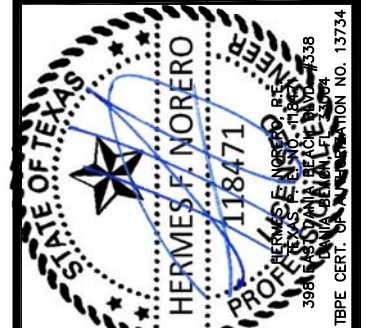
FOR XO, OX & XX CONFIGURATIONS

TITLE: OPAQUE FIBERGLASS DOOR
IMPACT OUTSWING

BUCK ANCHORING

PREPARED BY:
BUILDING DROPS, INC.
398 E. DANIA BEACH BLVD. #338
DANIA BEACH, FL 33004
PH: (954) 399-8478 FX: (954) 744-4738

REVISIONS		NO.	DESCRIPTION	BY	DATE
A	DP TABLE UPDATE PER TDI COMMENTS	SM	01.29.17		



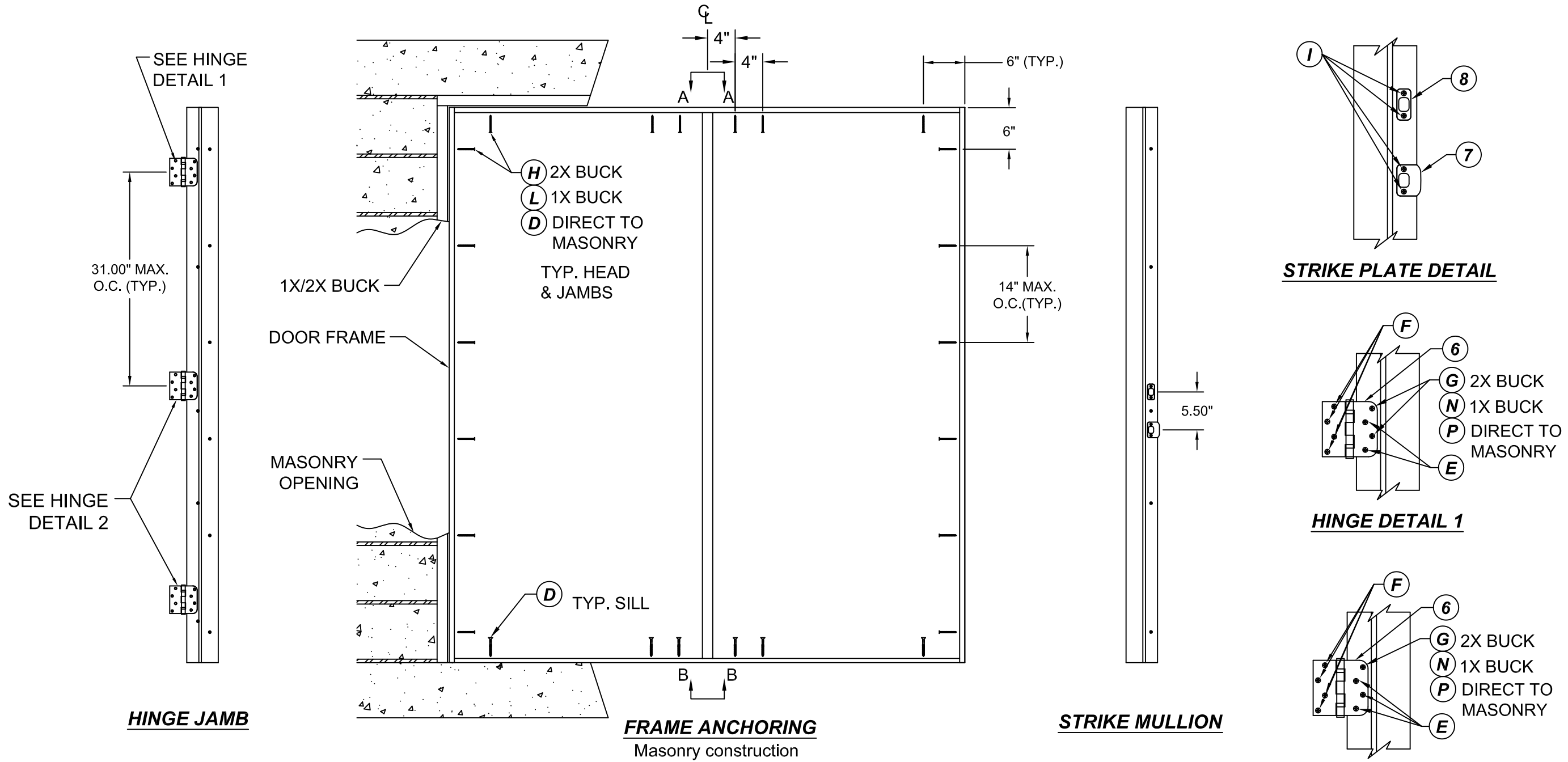
DATE: 10.24.16
DWN BY: LS
CHK BY: HFN
SCALE: NTS

DWG #: **TGI004**
SHEET: **17 OF 29**

TITLE: OPAQUE FIBERGLASS DOOR
IMPACT OUTSWING

FRAME ANCHORING

PREPARED BY:
BUILDING DROPS, INC.
398 E. DANIA BEACH BLVD. #338
DANIA BEACH, FL 33004
PH: (954) 399-8478 FX: (954) 744-4738



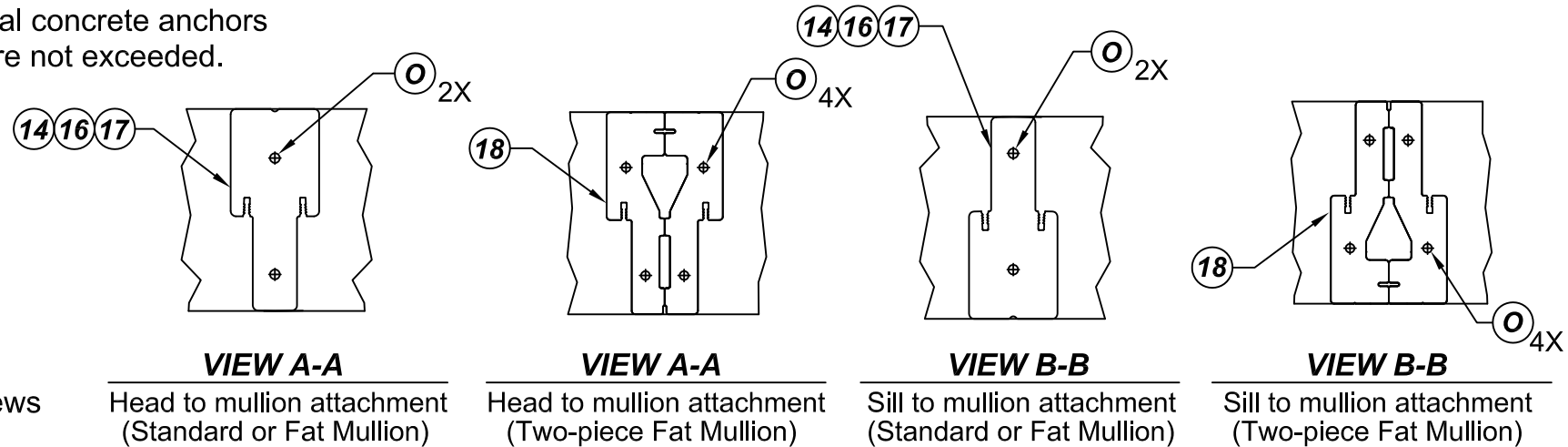
CONCRETE ANCHOR NOTES:

- Concrete anchor locations noted as "MAX ON CENTER" and at the corners must be adjusted to maintain min. edge distance to mortar joints. Additional concrete anchors may be required to ensure the "MAX ON CENTER" dimensions are not exceeded.

ANCHOR TYPE	ANCHOR SIZE	MIN. EMBEDMENT	MIN. CLEARANCE TO MASONRY EDGE	MIN CLEARANCE TO ADJUSTMENT ANCHOR
ITW BUILDEX TAPCON®	1/4"	1-1/4"	2"	4"
ELCO ULTRACON®	1/4"	1-1/4"	1"	4"
ITW BUILDEX TAPCON®	3/16"	1-1/4"	3"	1-1/2"

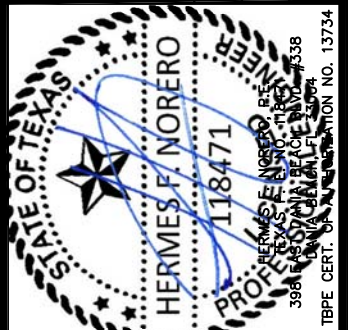
WOOD SCREW INSTALLATION NOTES:

- Maintain a min. 5/8" edge distance, & 1" o.c. spacing of wood screws to prevent splitting of wood.



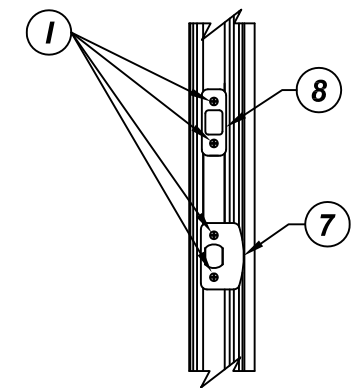
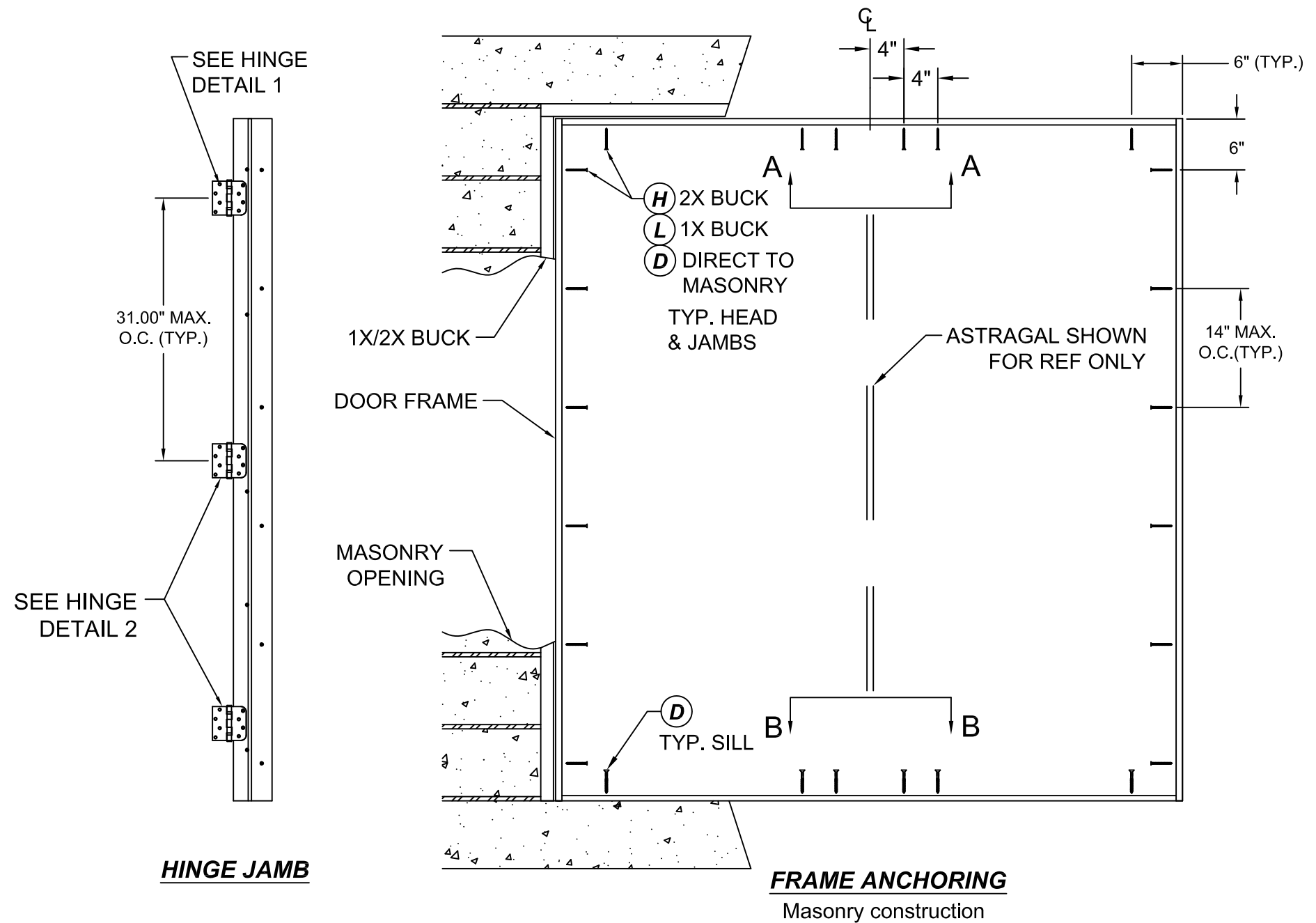
REVISIONS

NO.	DESCRIPTION	BY	DATE
A	DP TABLE UPDATE PER TDI COMMENTS	SM	01.29.17

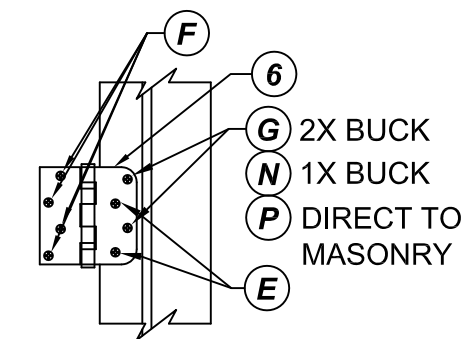


DATE: 10.24.16
DWN BY: LS
CHK BY: HFN
SCALE: NTS

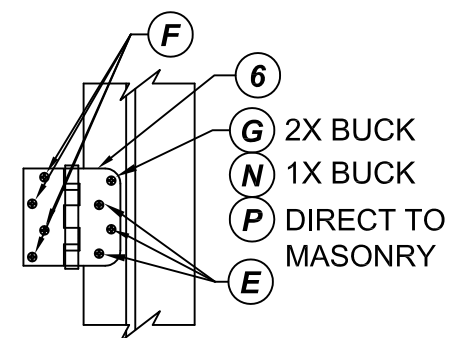
DWG #: **TGI004**
SHEET: **18 OF 29**



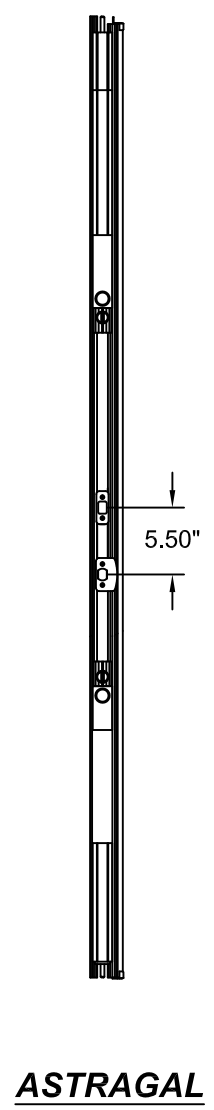
STRIKE DETAIL 1



HINGE DETAIL 1



HINGE DETAIL 2



ASTRAGAL

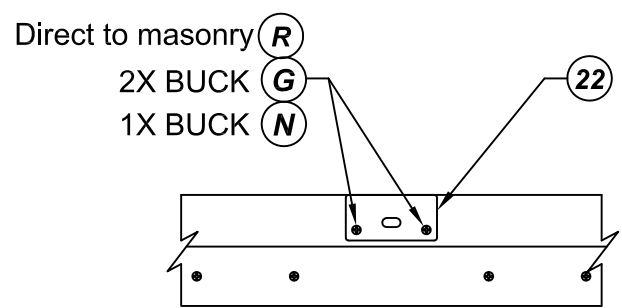
CONCRETE ANCHOR NOTES:

- Concrete anchor locations noted as "MAX ON CENTER" and at the corners must be adjusted to maintain min. edge distance to mortar joints. Additional concrete anchors may be required to ensure the "MAX ON CENTER" dimensions are not exceeded.

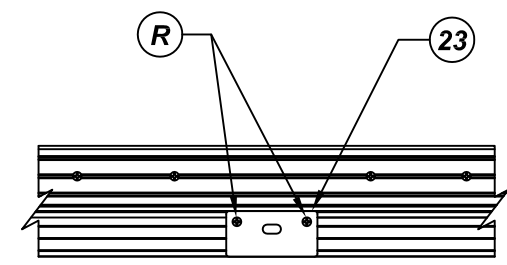
ANCHOR TYPE	ANCHOR SIZE	MIN. EMBEDMENT	MIN. CLEARANCE TO MASONRY EDGE	MIN CLEARANCE TO ADJUSTMENT ANCHOR
ITW BUILDEX TAPCON®	1/4"	1-1/4"	2"	4"
ELCO ULTRACON®	1/4"	1-1/4"	1"	4"
ITW BUILDEX TAPCON®	3/16"	1-1/4"	3"	1-1/2"

WOOD SCREW INSTALLATION NOTES:

- Maintain a min. 5/8" edge distance, & 1" o.c. spacing of wood screws to prevent splitting of wood.



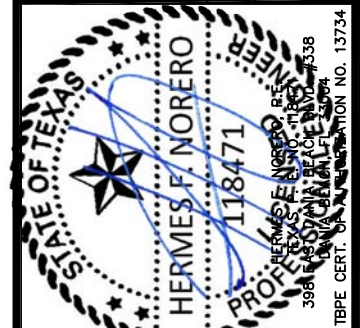
VIEW A-A
Astragal Strike @ Head



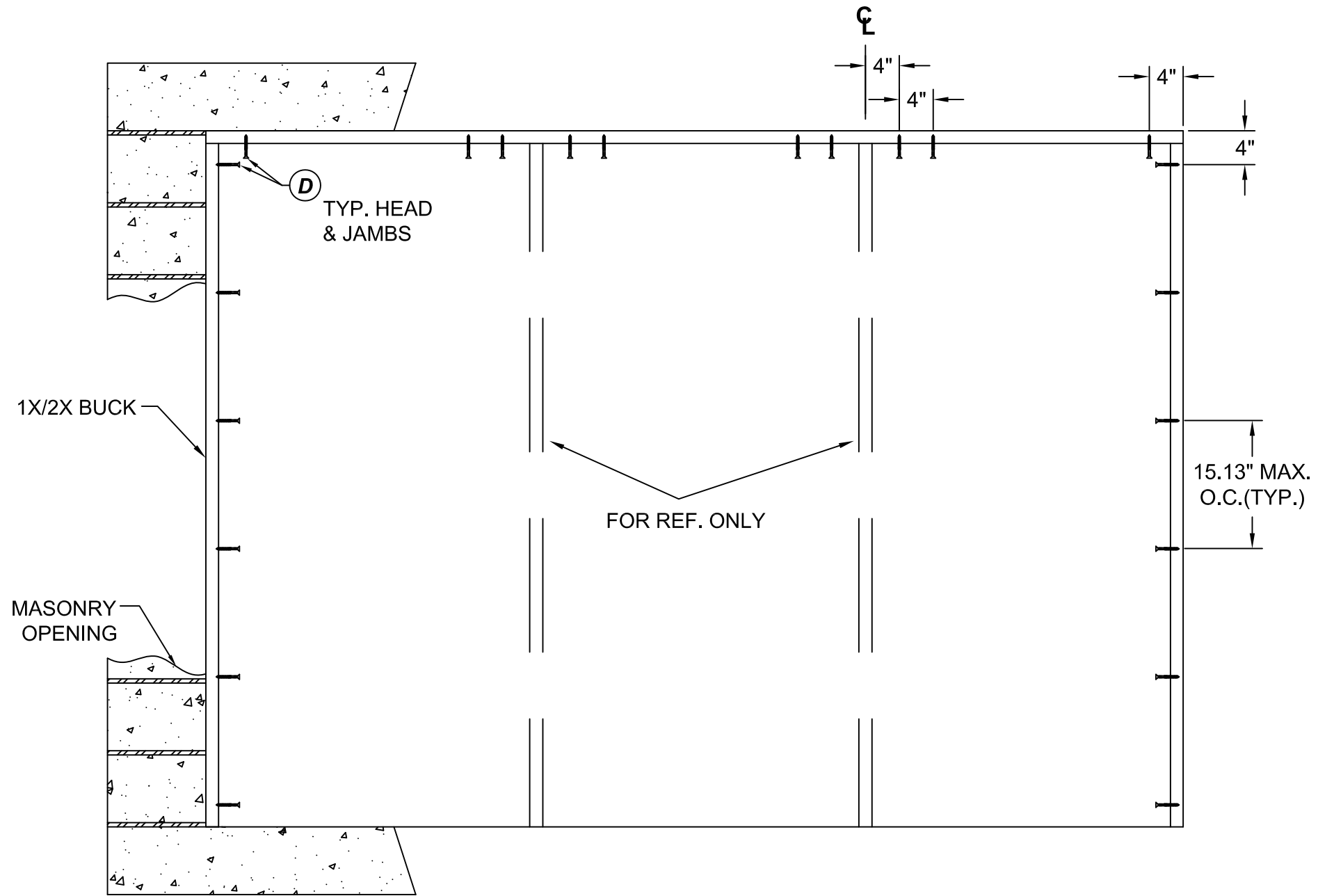
VIEW B-B
Astragal Strike @ Sill

REVISIONS

NO.	DESCRIPTION	BY	DATE
A	DP TABLE UPDATE PER TDI COMMENTS	SM	01.29.17



DATE: 10.24.16	DWN BY: LS	CHK BY: HFN	SCALE: NTS
----------------	------------	-------------	------------



BUCK ANCHORING

CONCRETE ANCHOR NOTES:

- Concrete anchor locations noted as "MAX ON CENTER" and at the corners must be adjusted to maintain min. edge distance to mortar joints. Additional concrete anchors may be required to ensure the "MAX ON CENTER" dimensions are not exceeded.
- Concrete anchor table:

ANCHOR TYPE	ANCHOR SIZE	MIN. EMBEDMENT	MIN. CLEARANCE TO MASONRY EDGE	MIN CLEARANCE TO ADJUSTMENT ANCHOR
ITW BUILDEX TAPCON®	1/4"	1-1/4"	2"	4"
ELCO ULTRACON®	1/4"	1-1/4"	1"	4"
ITW BUILDEX TAPCON®	3/16"	1-1/4"	3"	1-1/2"

WOOD SCREW INSTALLATION NOTES:

- Maintain a min. 5/8" edge distance, & 1" o.c. spacing of wood screws to prevent splitting of wood.

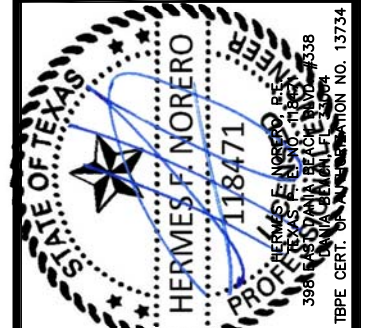
FOR OXO CONFIGURATIONS

TITLE: OPAQUE FIBERGLASS DOOR
IMPACT OUTSWING

BUCK ANCHORING

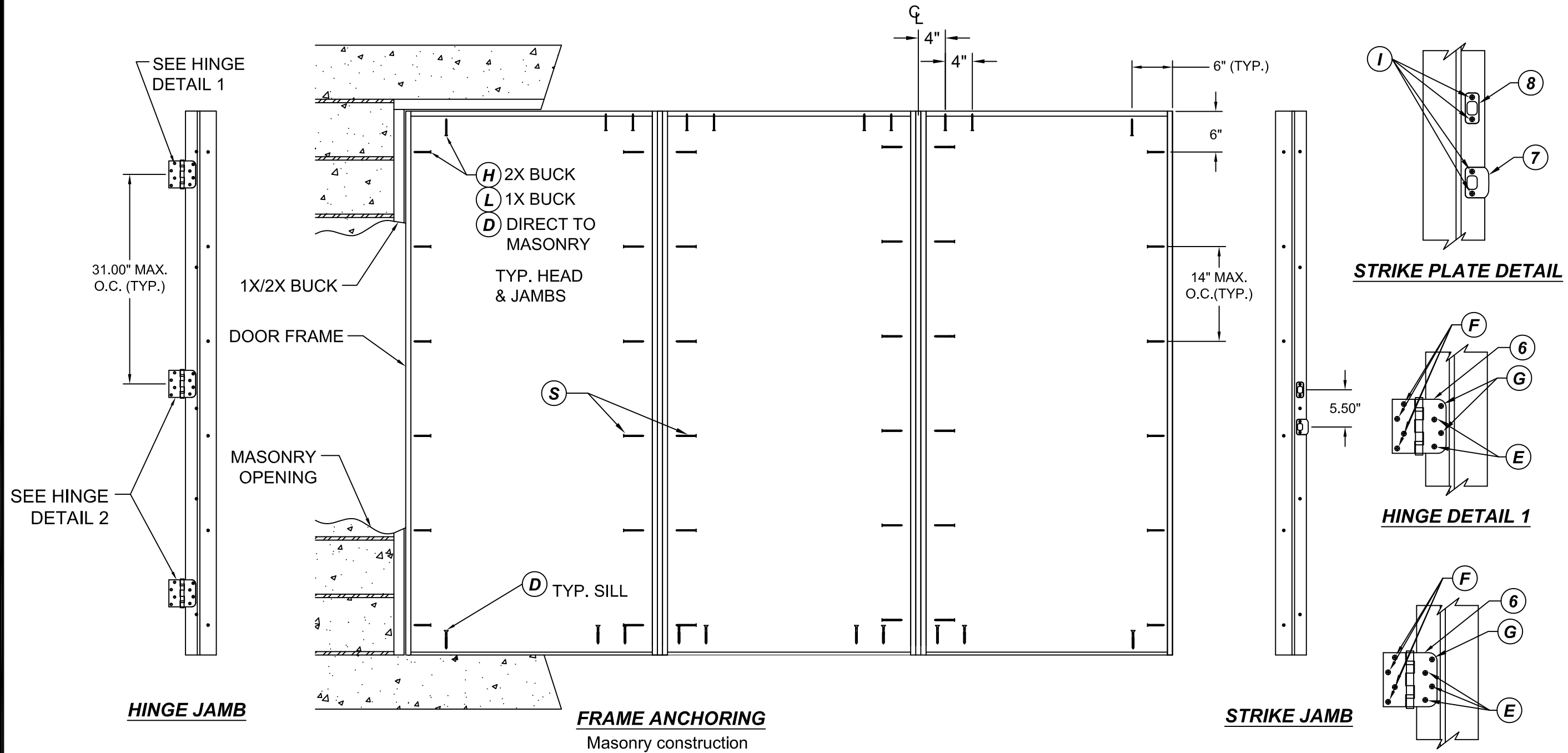
PREPARED BY:
BUILDING DROPS, INC.
398 E. DANIA BEACH BLVD. #338
DANIA BEACH, FL 33004
PH: (954) 399-8478 FX: (954) 744-4738

REVISIONS		NO.	DESCRIPTION	BY	DATE
A	DP TABLE UPDATE PER TDI COMMENTS	SM	01.29.17		

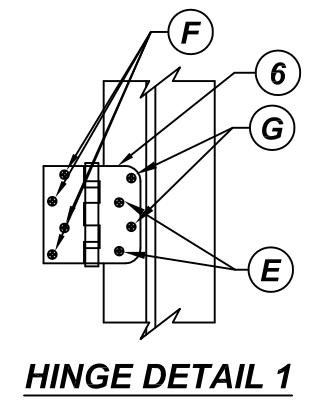


DATE: 10.24.16
DWN BY: LS
CHK BY: HFN
SCALE: NTS

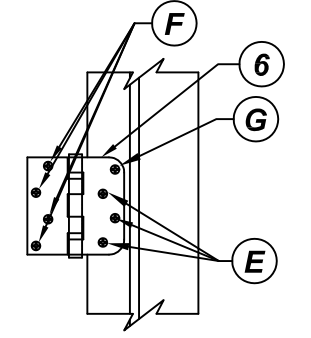
DWG #: **TGI004**
SHEET: **21 OF 29**



STRIKE PLATE DETAIL



HINGE DETAIL 1



HINGE DETAIL 2

CONCRETE ANCHOR NOTES:

- Concrete anchor locations noted as "MAX ON CENTER" and at the corners must be adjusted to maintain min. edge distance to mortar joints. Additional concrete anchors may be required to ensure the "MAX ON CENTER" dimensions are not exceeded.

ANCHOR TYPE	ANCHOR SIZE	MIN. EMBEDMENT	MIN. CLEARANCE TO MASONRY EDGE	MIN CLEARANCE TO ADJUSTMENT ANCHOR
ITW BUILDEX TAPCON®	1/4"	1-1/4"	2"	4"
ELCO ULTRACON®	1/4"	1-1/4"	1"	4"
ITW BUILDEX TAPCON®	3/16"	1-1/4"	3"	1-1/2"

WOOD SCREW INSTALLATION NOTES:

- Maintain a min. 5/8" edge distance, & 1" o.c. spacing of wood screws to prevent splitting of wood.

REVISIONS

NO.	DESCRIPTION	BY	DATE
A	DP TABLE UPDATE PER TDI COMMENTS	SM	01.29.17



DATE: 10.24.16
DWN BY: LS
CHK BY: HFN
SCALE: NTS

DWG #: **TGI004**
SHEET: **23 OF 29**

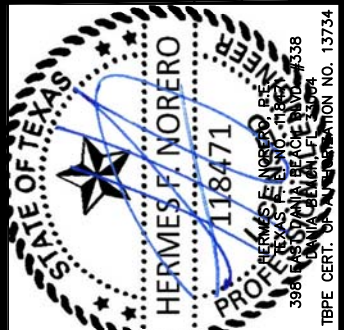
TITLE: OPAQUE FIBERGLASS DOOR
IMPACT OUTSWING

BUCK ANCHORING

PREPARED BY:
BUILDING DROPS, INC.
398 E. DANIA BEACH BLVD. #338
DANIA BEACH, FL 33004
PH: (954) 399-8478 FX: (954) 744-4738

REVISIONS

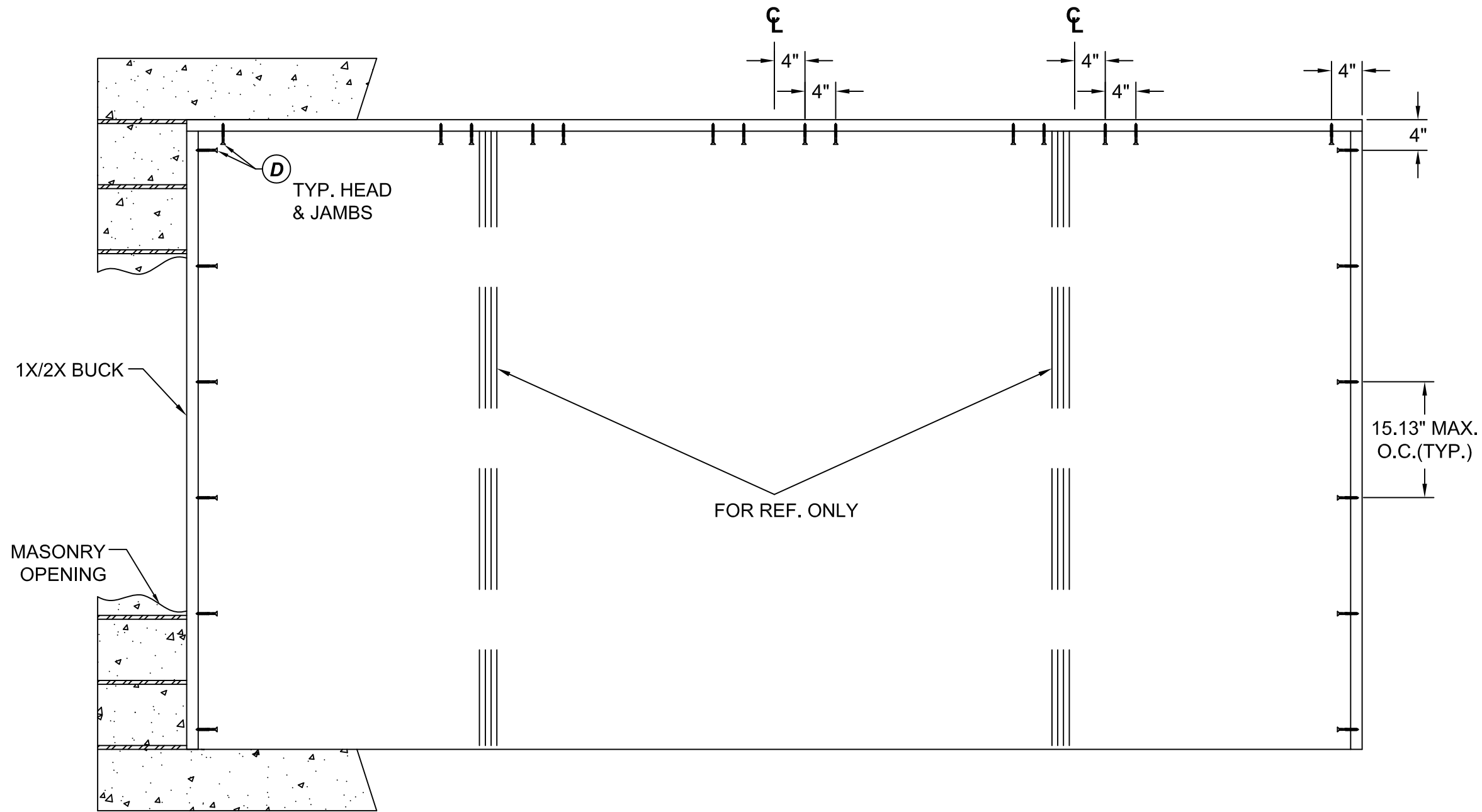
NO.	DESCRIPTION	BY	DATE
A	DP TABLE UPDATE PER TDI COMMENTS	SM	01.29.17



DATE: 10.24.16
DWN BY: LS
CHK BY: HFN
SCALE: NTS

DWG #: **TGI004**

SHEET: **24 OF 29**



BUCK ANCHORING

**FOR OXXO
CONFIGURATIONS**

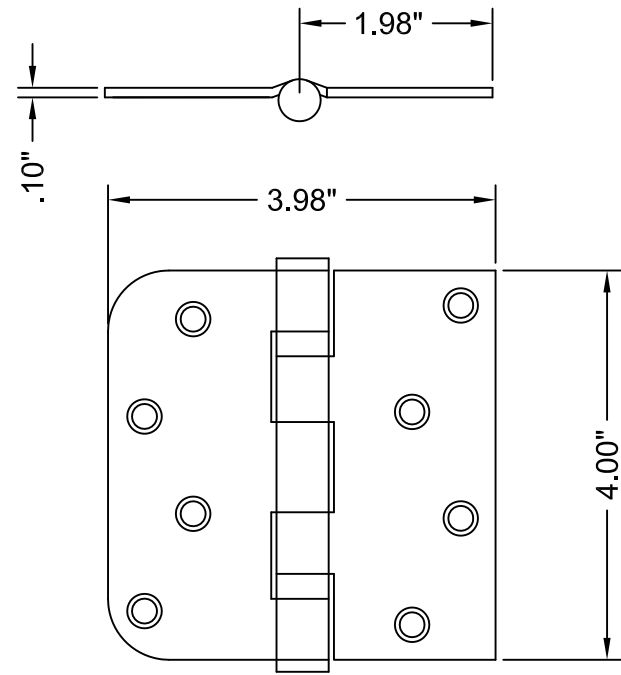
CONCRETE ANCHOR NOTES:

- Concrete anchor locations noted as "MAX ON CENTER" and at the corners must be adjusted to maintain min. edge distance to mortar joints. Additional concrete anchors may be required to ensure the "MAX ON CENTER" dimensions are not exceeded.
- Concrete anchor table:

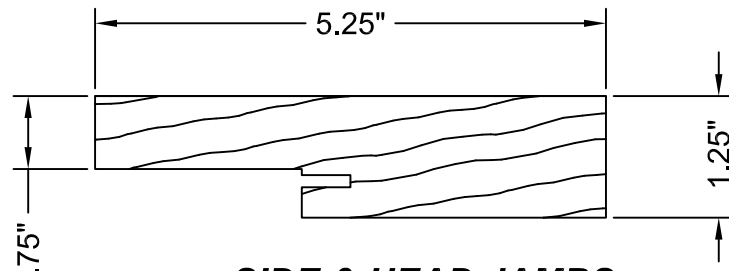
ANCHOR TYPE	ANCHOR SIZE	MIN. EMBEDMENT	MIN. CLEARANCE TO MASONRY EDGE	MIN CLEARANCE TO ADJUSTMENT ANCHOR
ITW BUILDEX TAPCON®	1/4"	1-1/4"	2"	4"
ELCO ULTRACON®	1/4"	1-1/4"	1"	4"
ITW BUILDEX TAPCON®	3/16"	1-1/4"	3"	1-1/2"

WOOD SCREW INSTALLATION NOTES:

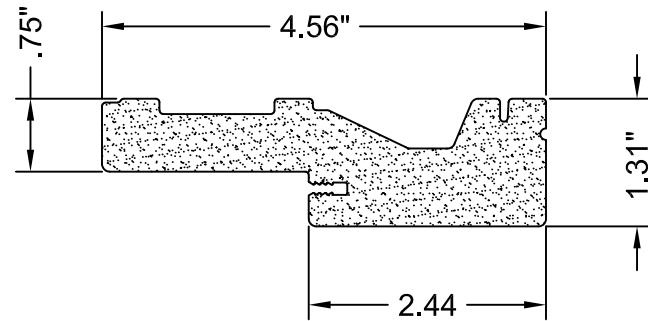
- Maintain a min. 5/8" edge distance, & 1" o.c. spacing of wood screws to prevent splitting of wood.



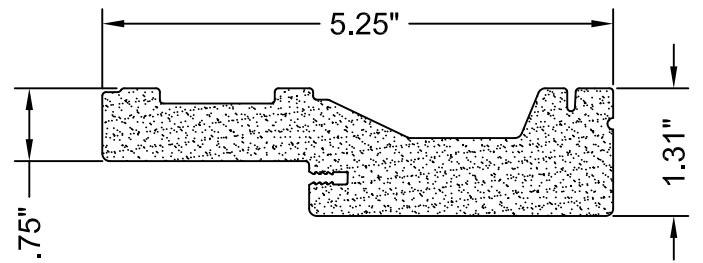
6 HINGE
MATERIAL: STEEL



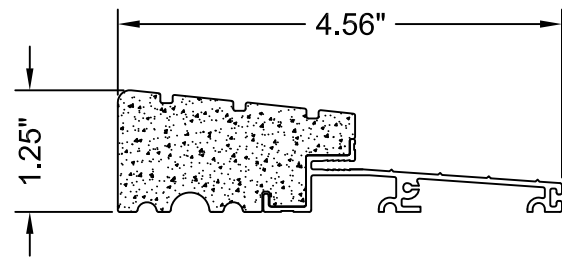
1A SIDE & HEAD JAMBS
(5-1/4" or larger)
MATERIAL: WOOD



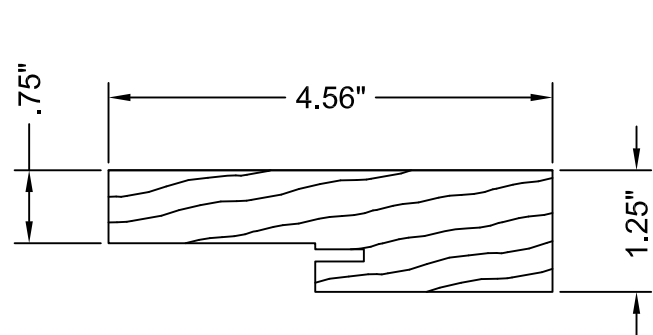
2 SIDE & HEAD JAMBS
MATERIAL: PVC



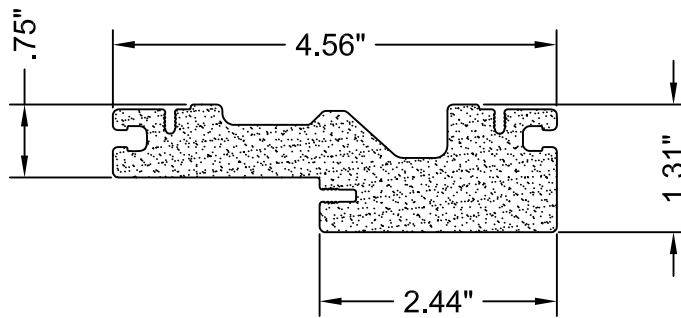
2A SIDE & HEAD JAMBS
(5-1/4" or larger)
MATERIAL: PVC



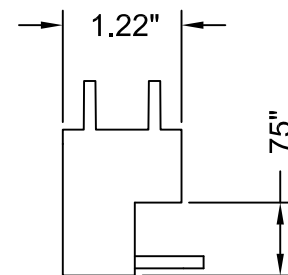
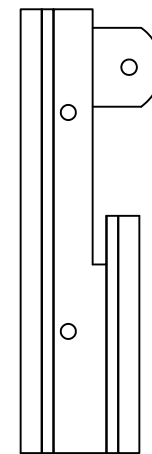
10 OUTSWING SILL
ALUMINUM WITH PVC SUBSTRATE



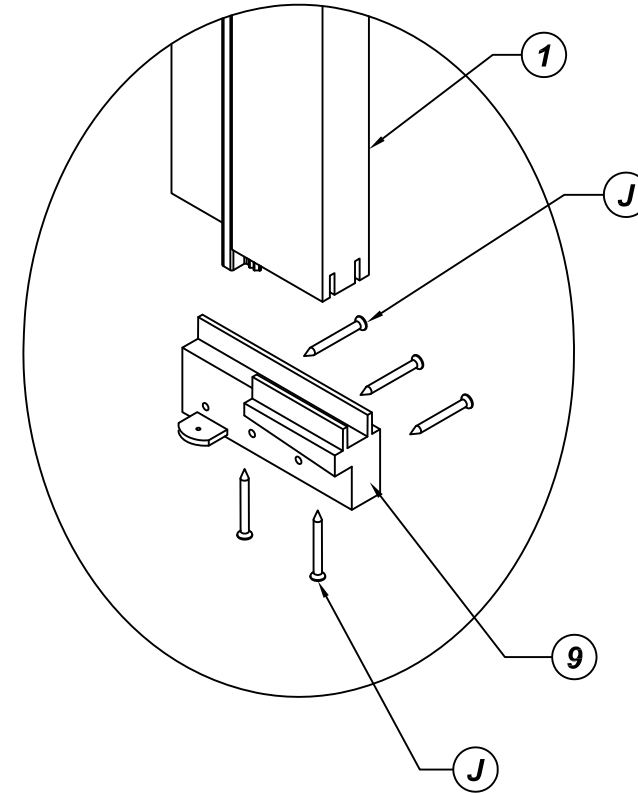
1 SIDE & HEAD JAMBS
MATERIAL: WOOD



3 SIDE & HEAD JAMBS
MATERIAL: PVC



9 SILL KEY DETAIL
OPTIONAL



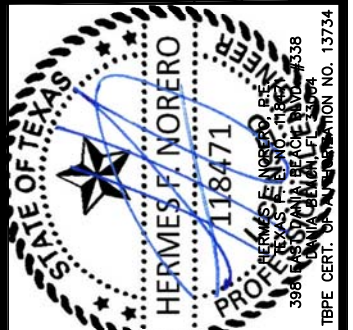
TITLE: OPAQUE FIBERGLASS DOOR
IMPACT OUTSWING

COMPONENTS

PREPARED BY:
BUILDING DROPS, INC.
398 E. DANIA BEACH BLVD. #338
DANIA BEACH, FL 33004
PH: (954) 399-8478 FX: (954) 744-4738

REVISIONS

NO.	DESCRIPTION	BY	DATE
A	DP TABLE UPDATE PER TDI COMMENTS	SM	01.29.17



DATE: 10.24.16
DWN BY: LS
CHK BY: HFN
SCALE: NTS

DWG #: **TGI004**

SHEET: **26 OF 29**

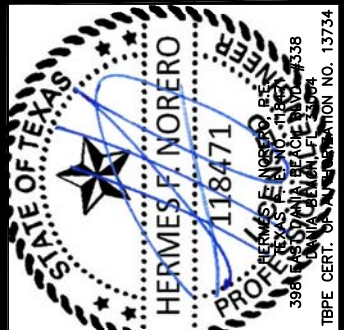
TITLE: OPAQUE FIBERGLASS DOOR
IMPACT OUTSWING

COMPONENTS

PREPARED BY:
BUILDING DROPS, INC.
398 E. DANIA BEACH BLVD. #338
DANIA BEACH, FL 33004
PH: (954) 399-8478 FX: (954) 744-4738

REVISIONS

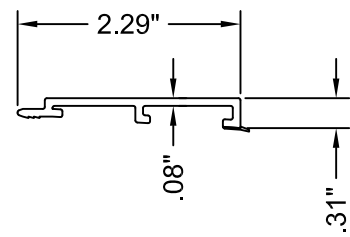
NO.	DESCRIPTION	BY	DATE
A	DP TABLE UPDATE PER TDI COMMENTS	SM	01.29.17



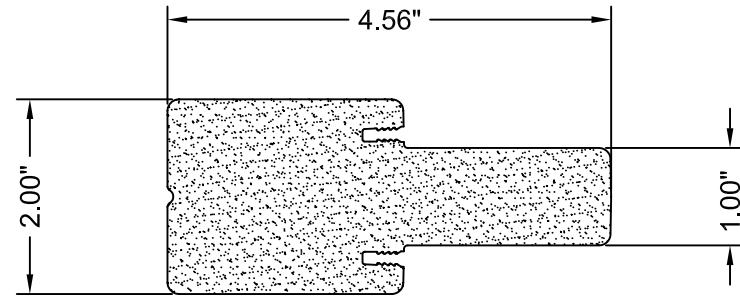
DATE:	DWN BY:	CHK BY:	SCALE:
10.24.16	LS	HFN	NTS

DWG #: **TGI004**

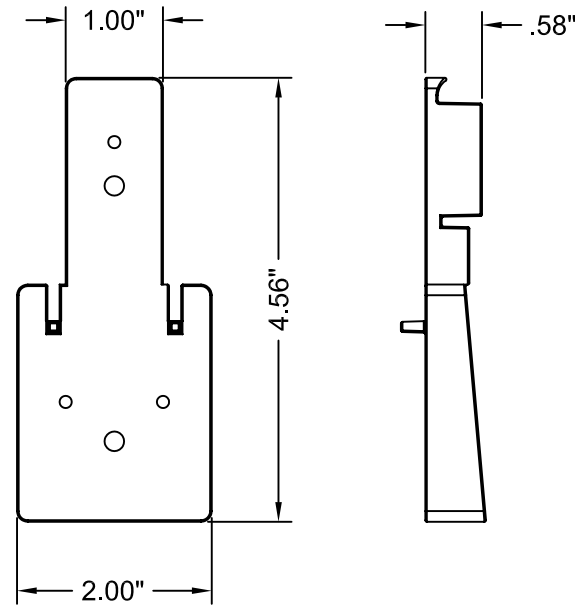
SHEET: **27 OF 29**



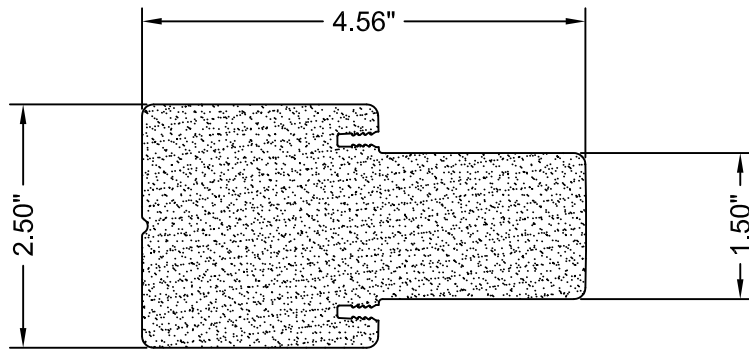
13 OUTSWING SIDELITE SPACER
MATERIAL: PVC



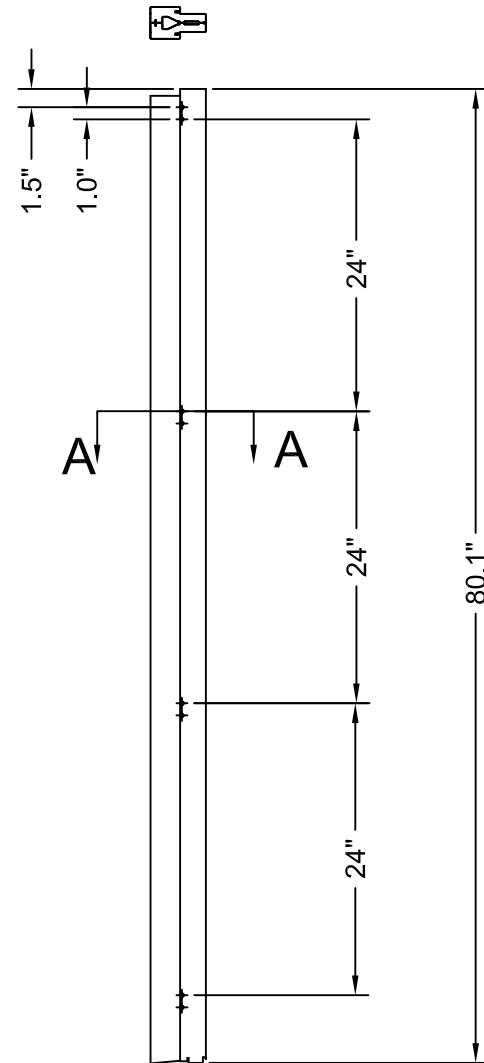
16 STANDARD MULLION
MATERIAL: PVC



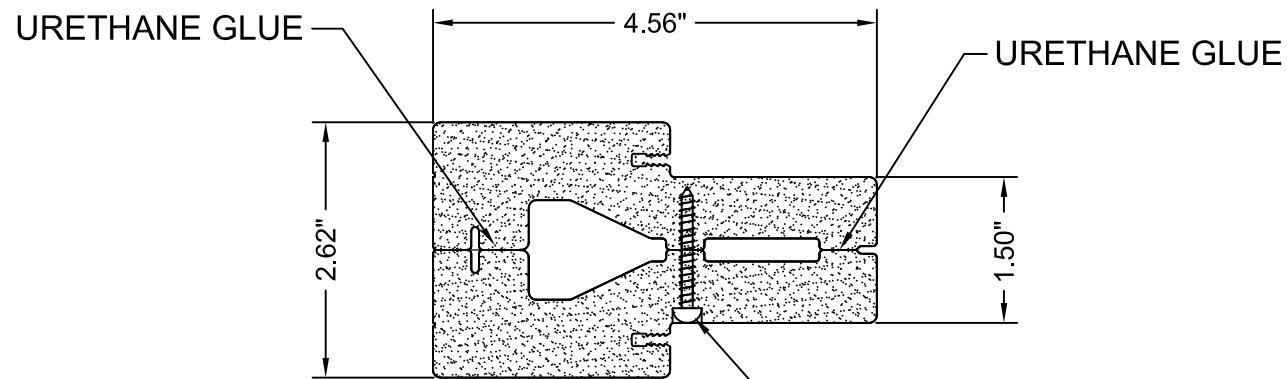
15 MULLION BASE KIT
OPTIONAL



17 FAT MULLION
MATERIAL: PVC

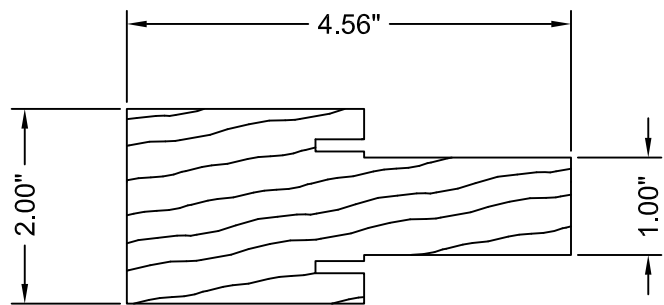


18 TWO-PIECE "FAT" MULLION
MATERIAL: PVC



SECTION A-A

#8x1 1/4" PRH WS (4 NEAR SIDE)
#8x1 1/4" PRH WS (4 FAR SIDE)



14 STANDARD MULLION
MATERIAL: WOOD

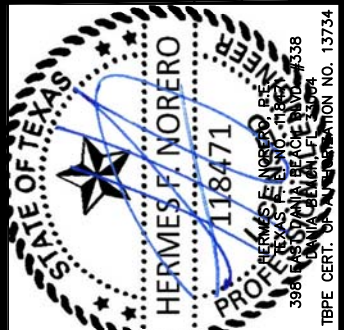
TITLE: OPAQUE FIBERGLASS DOOR
IMPACT OUTSWING

COMPONENTS

PREPARED BY:
BUILDING DROPS, INC.
398 E. DANIA BEACH BLVD. #338
DANIA BEACH, FL 33004
PH: (954) 399-8478 FX: (954) 744-4738

REVISIONS

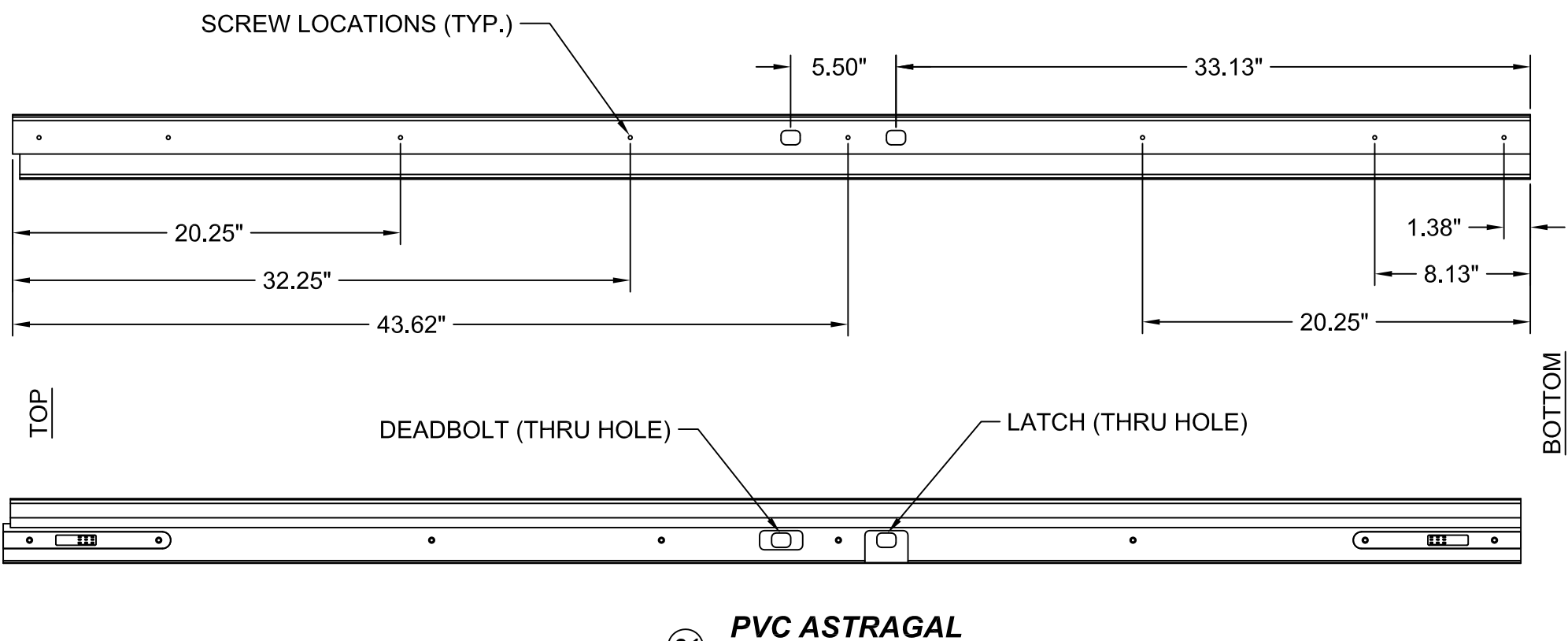
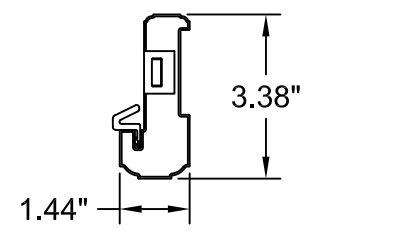
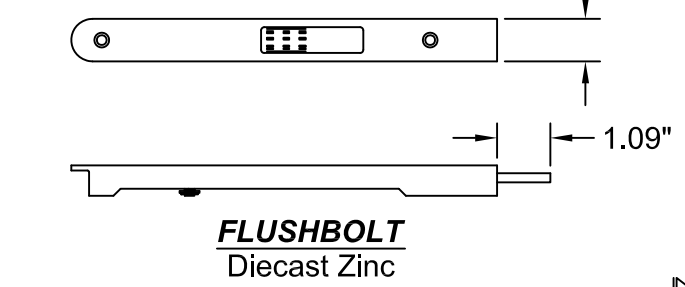
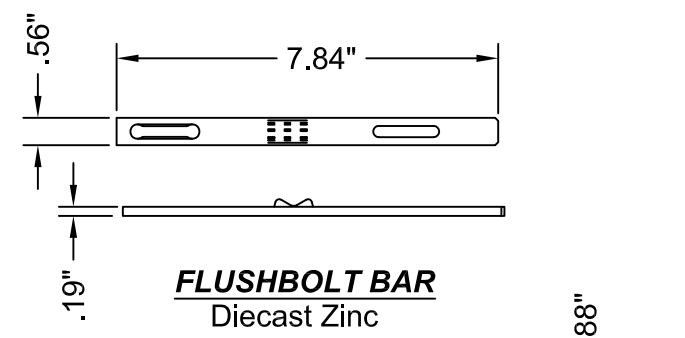
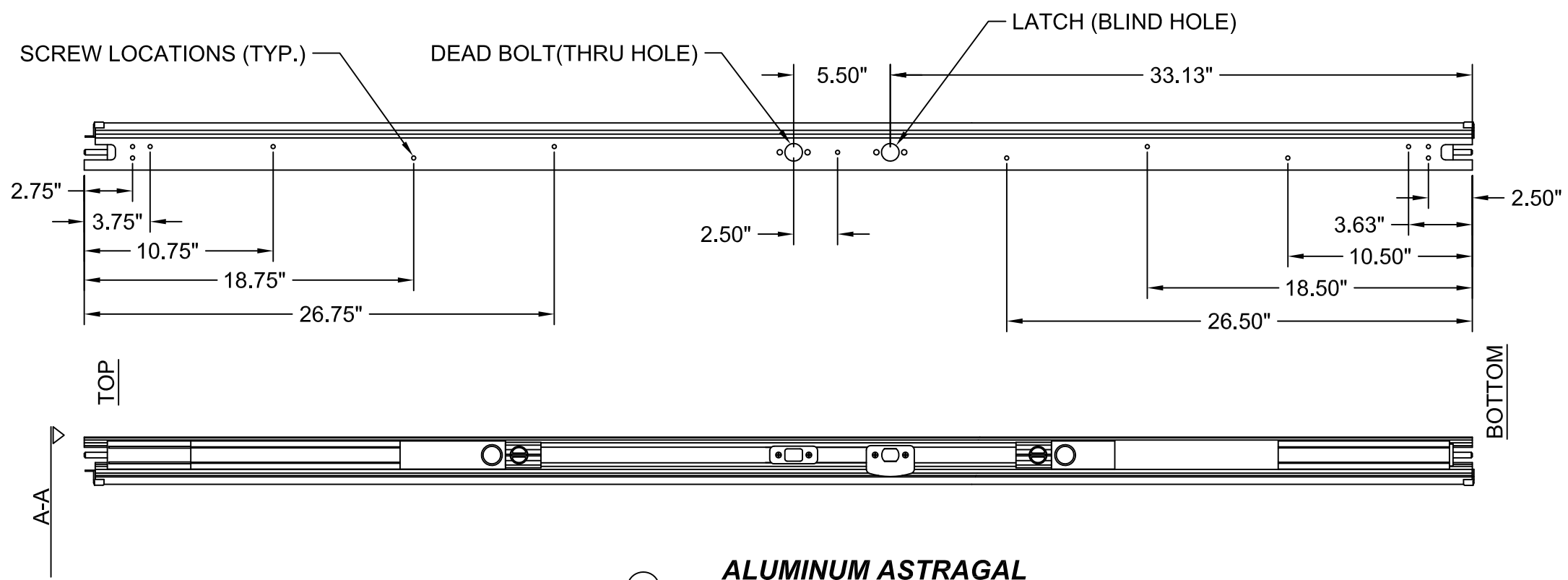
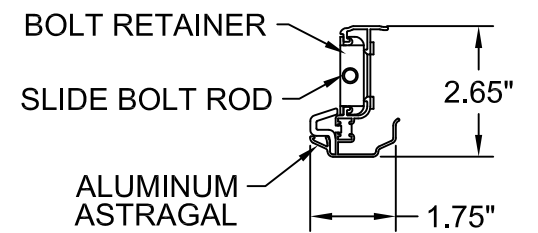
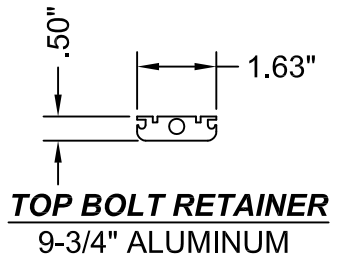
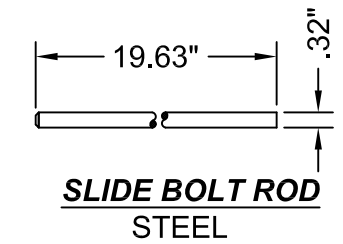
NO.	DESCRIPTION	BY	DATE
A	DP TABLE UPDATE PER TDI COMMENTS	SM	01.29.17



DATE:	DWN BY:	CHK BY:	SCALE:
10.24.16	LS	HFN	NTS

DWG #: **TGI004**

SHEET: **28 OF 29**



BILL OF MATERIAL

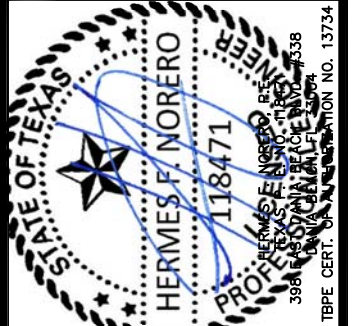
ITEM #	DESCRIPTION	MATERIAL
A	1X BUCK SG>=0.42	WOOD
B	2X BUCK SG>=0.42	WOOD
C	1/4" MAX. SHIM SPACE	-
D	1/4" X 2-3/4" PFH ELCO OR ITW CONCRETE SCREW	STEEL
E	#9 X 3/4" PFH WS	STEEL
F	#9 X 1" PFH WS	STEEL
G	#9 X 2-1/4" PFH WS	STEEL
H	#10 X 2-1/2" PFH WS	STEEL
I	#8 X 2" PFH WS	STEEL
J	#6 X 1-1/4" DRYWALL SCREW	STEEL
K	MASONRY - 3,000 PSI MIN. CONCRETE CONFORMING TO ACI 301 OR HOLLOW BLOCK CONFORMING TO ASTM C90	CONCRETE
L	1/4" X 3-3/4" PFH ELCO OR ITW CONCRETE SCREW	STEEL
M	1/4" X 3-1/4" PFH ELCO OR ITW CONCRETE SCREW	STEEL
N	3/16" X 3-1/4" PFH ELCO OR ITW CONCRETE SCREW	STEEL
O	#8 X 2-1/2" PFH WS	STEEL
P	3/16" X 2-1/4" PFH ELCO OR ITW CONCRETE SCREW	STEEL
Q	#8 X 1" PFH WS	STEEL
R	3/16" X 2-3/4" PFH ELCO OR ITW CONCRETE SCREW	STEEL
S	#10 X 3" PFH WS	STEEL
1	JAMB (FINGER-JOINT PINE - SG>=0.42)	WOOD
1A	JAMB (FINGER-JOINT PINE - SG>=0.42)	WOOD
2	JAMB	PVC
2A	JAMB	PVC
3	JAMB	PVC
5	WEATHER STRIP QEBD650 Q-LON	-
6	3.98" X 4.0" HINGE MIN 0.098" MIN THICK	STEEL
7	STRIKE PLATE	STEEL
8	DEADBOLT PLATE	STEEL
9	SILLKEY	PC/ASA
10	OUTSWING SILL - ALUMINUM WITH PVC SUBSTRATE	ALUM./PVC
11	DOOR PANEL - SEE DOOR PANEL CONSTRUCTION DETAILS SHEET	-
12	SIDELITE PANEL - SEE SIDELITE PANEL CONSTRUCTION DETAILS SHEET	-
13	OUTSWING SIDELITE SPACER	PVC
14	STANDARD MULLION (FINGER JOINT PINE SG>=0.42)	WOOD
15	MULLION BASE KIT	PC/ASA
16	STANDARD MULLION	PVC
17	"FAT" MULLION	PVC
18	TWO-PIECE "FAT" MULLION	PVC
19	1X MULLION	WOOD
20	ALUMINUM ASTRAGAL BY ENDURA PRODUCTS	ALUMINUM
21	PVC ASTRAGAL BY TRINITY	PVC
22	ASTRAGAL STRIKE @ HEAD	STEEL
23	ASTRAGAL STRIKE @ SILL	STEEL



TRINITY GLASS INTERNATIONAL
33615 1ST WAY S
FEDERAL WAY, WA 98003
PH: (253) 875-7300

TITLE: OPAQUE FIBERGLASS DOOR
IMPACT OUTSWING
BILL OF MATERIALS
PREPARED BY:
BUILDING DROPS, INC.
398 E. DANIA BEACH BLVD. #338
DANIA BEACH, FL 33004
PH: (954) 399-8478 FX: (954) 744-4738

NO.	DESCRIPTION	BY	DATE
		A	SM



DATE: 10.24.16
DWN BY: LS
CHK BY: HFN
SCALE: NTS

DWG #: **TGI004**

SHEET: **29 OF 29**